



# Assembly manual

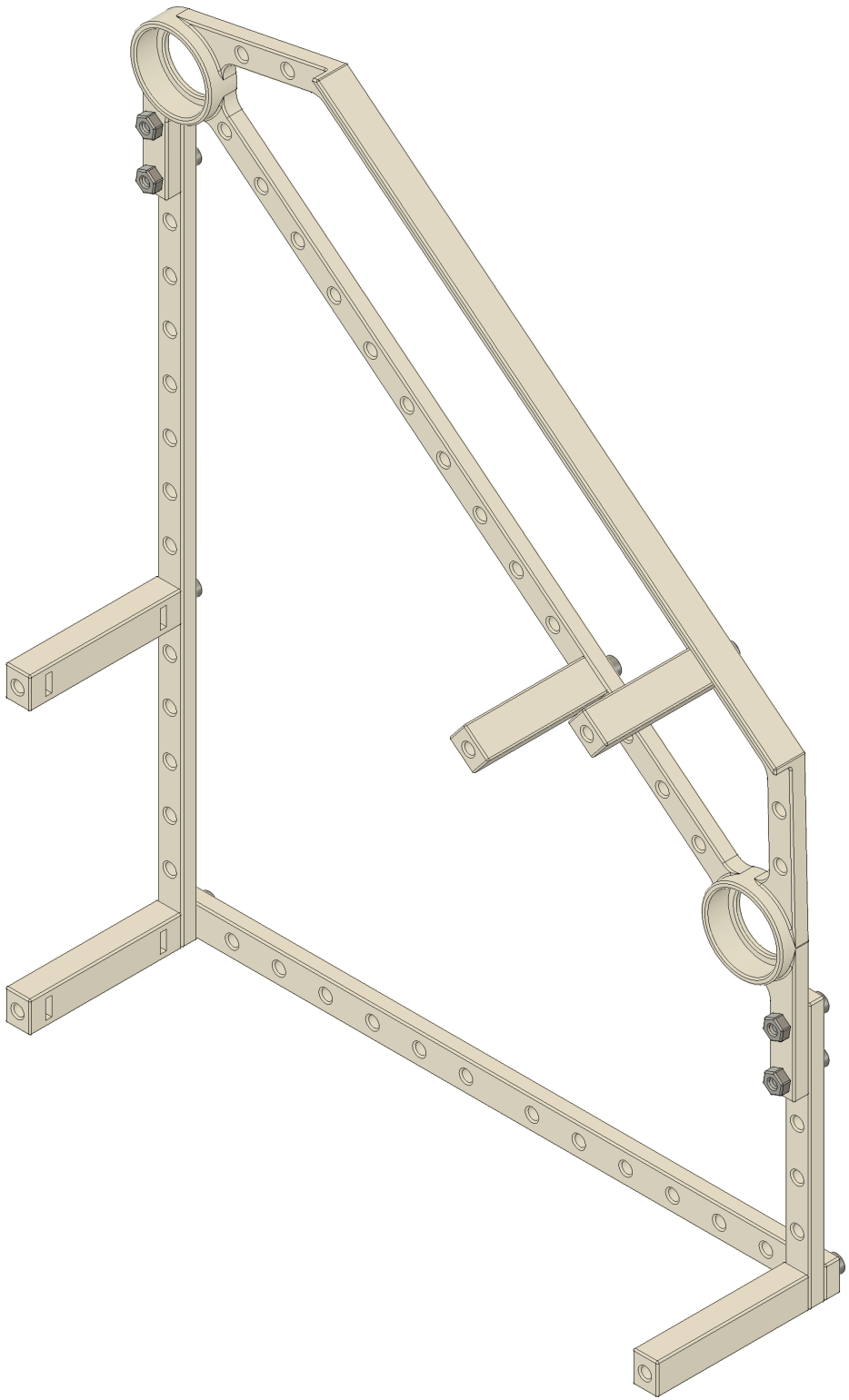
## SLINKY ESCALATOR



[www.mr-slinky.com](http://www.mr-slinky.com)  
Version: 1.0.1



*"Made to be built.  
Built to teach!"*



1

Main chassis - base

# Parts list



5x  
**Square nut**



4x  
**Hex nut**

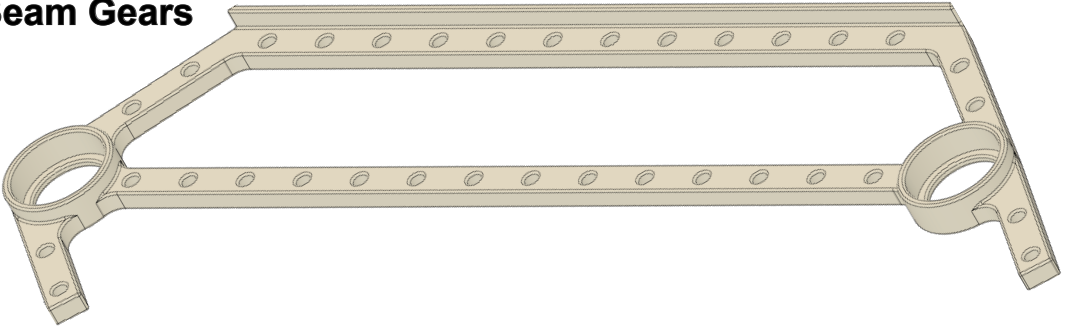


5x  
**M3x20**



4x  
**M3x12**

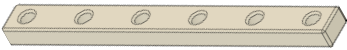
1x  
**Beam Gears**



1x  
**Stand Leg - Long**



1x  
**Stand Leg - Short**



1x  
**Stand Base Beam**



3x  
**Beam Spacer - Long**



2x  
**Beam Spacer - Short**



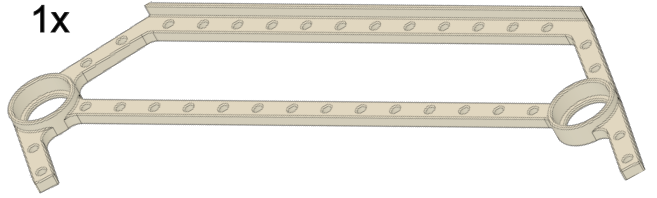


4x



4x

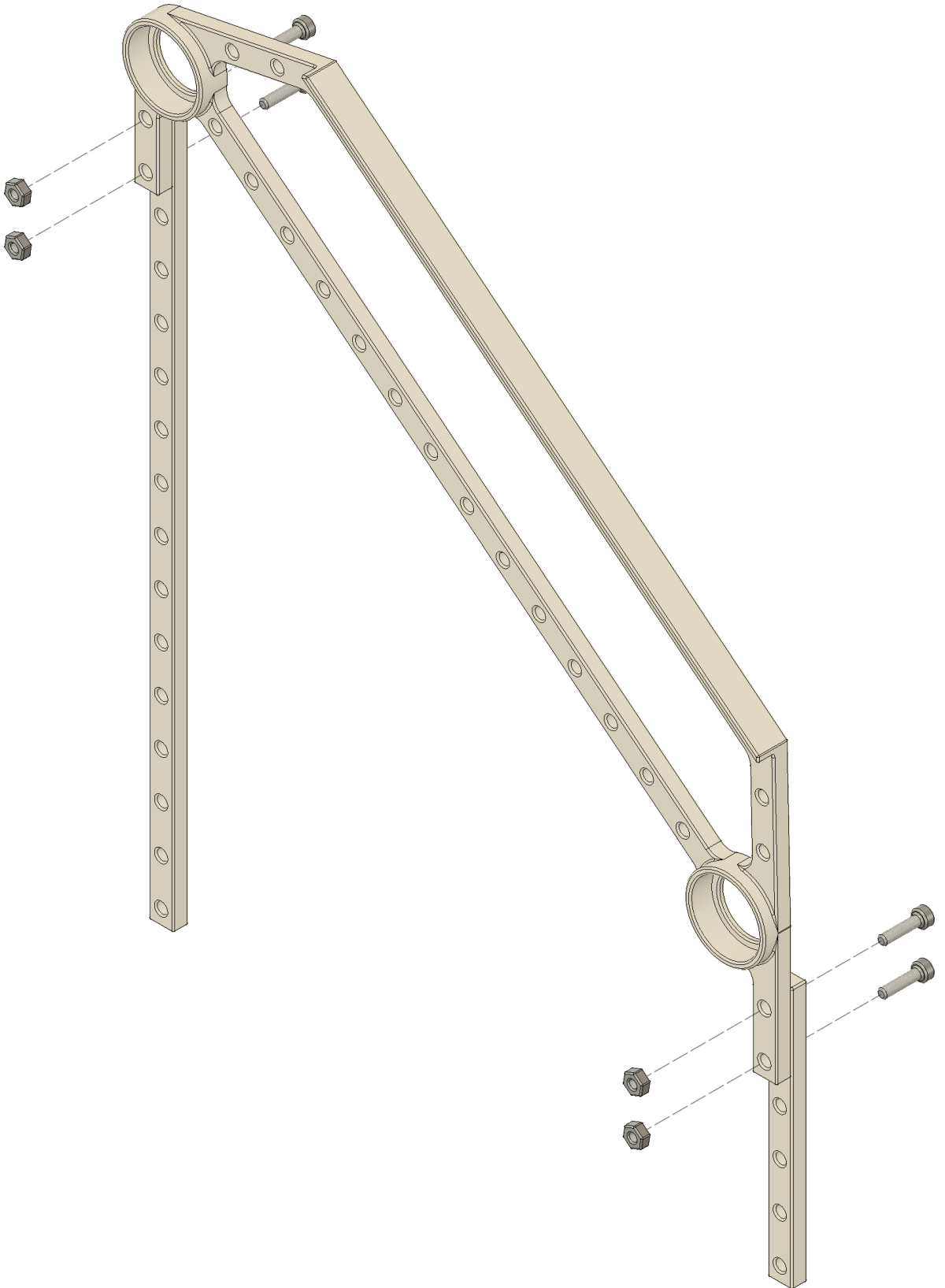
1x

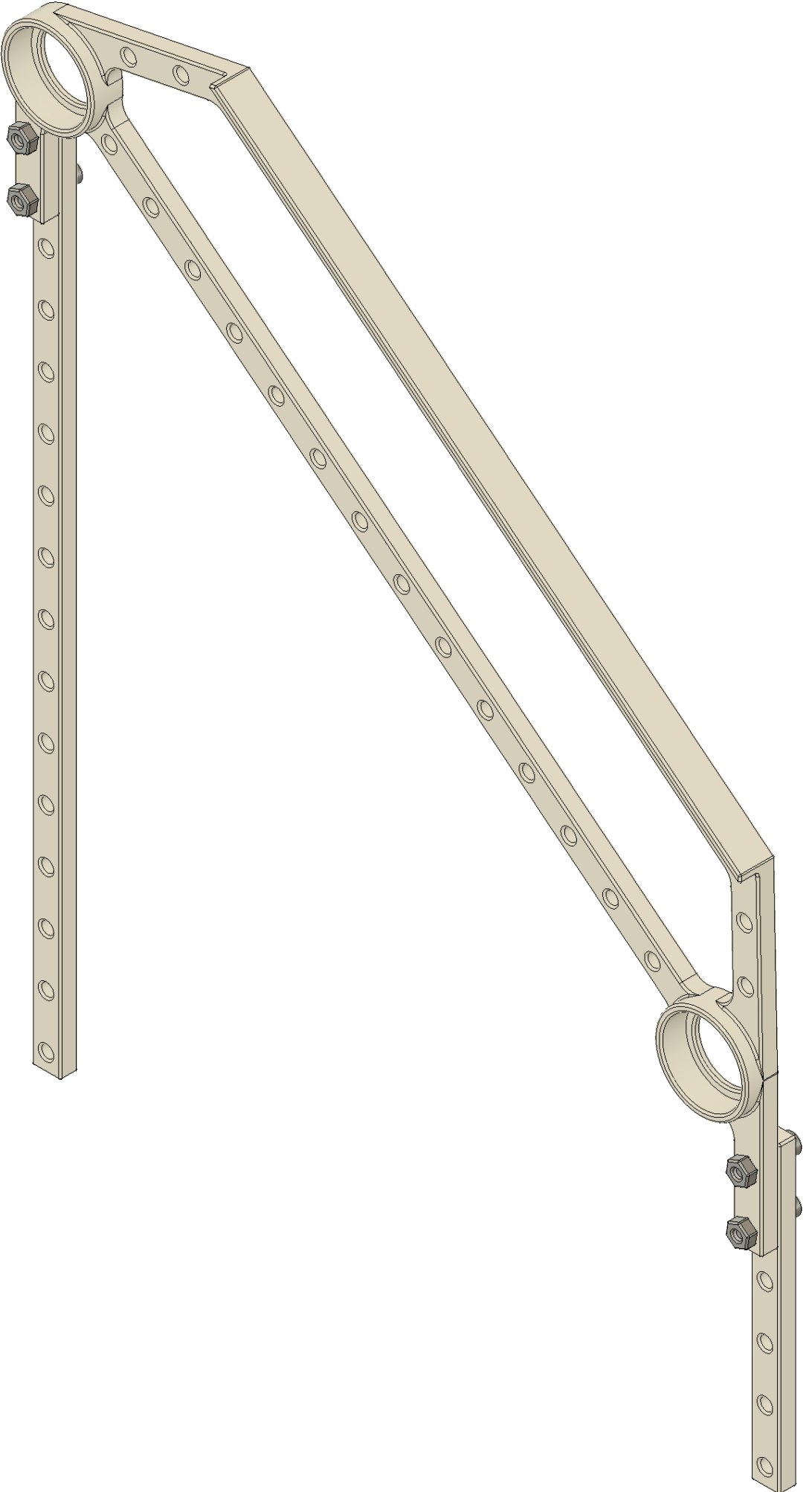


1x



1x







5x



5x

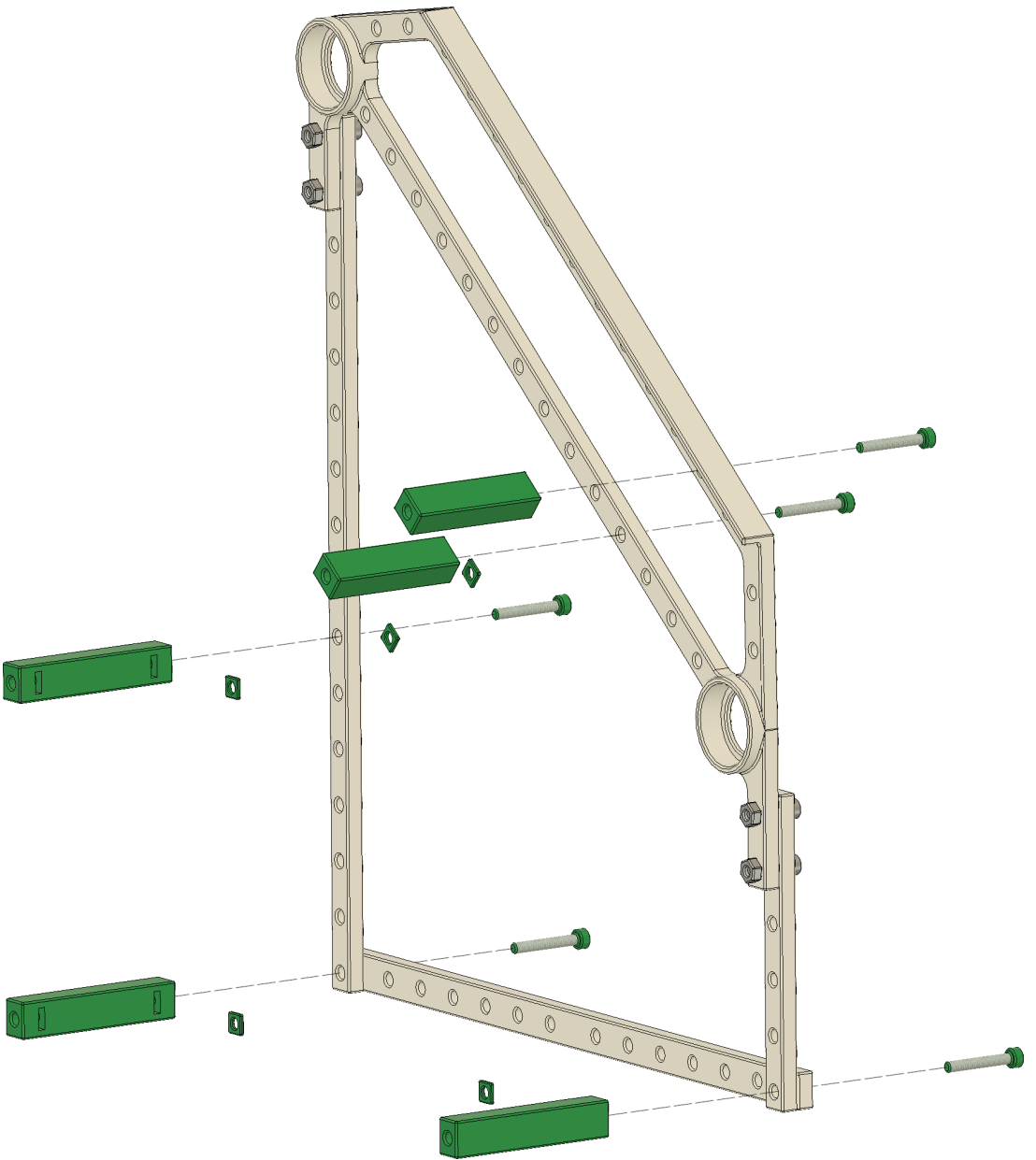
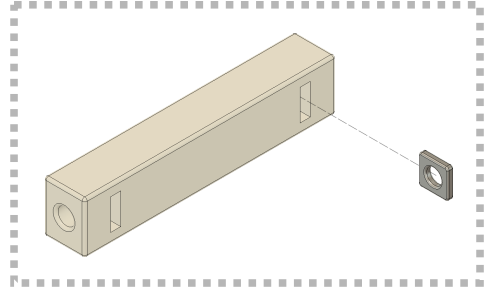
3x

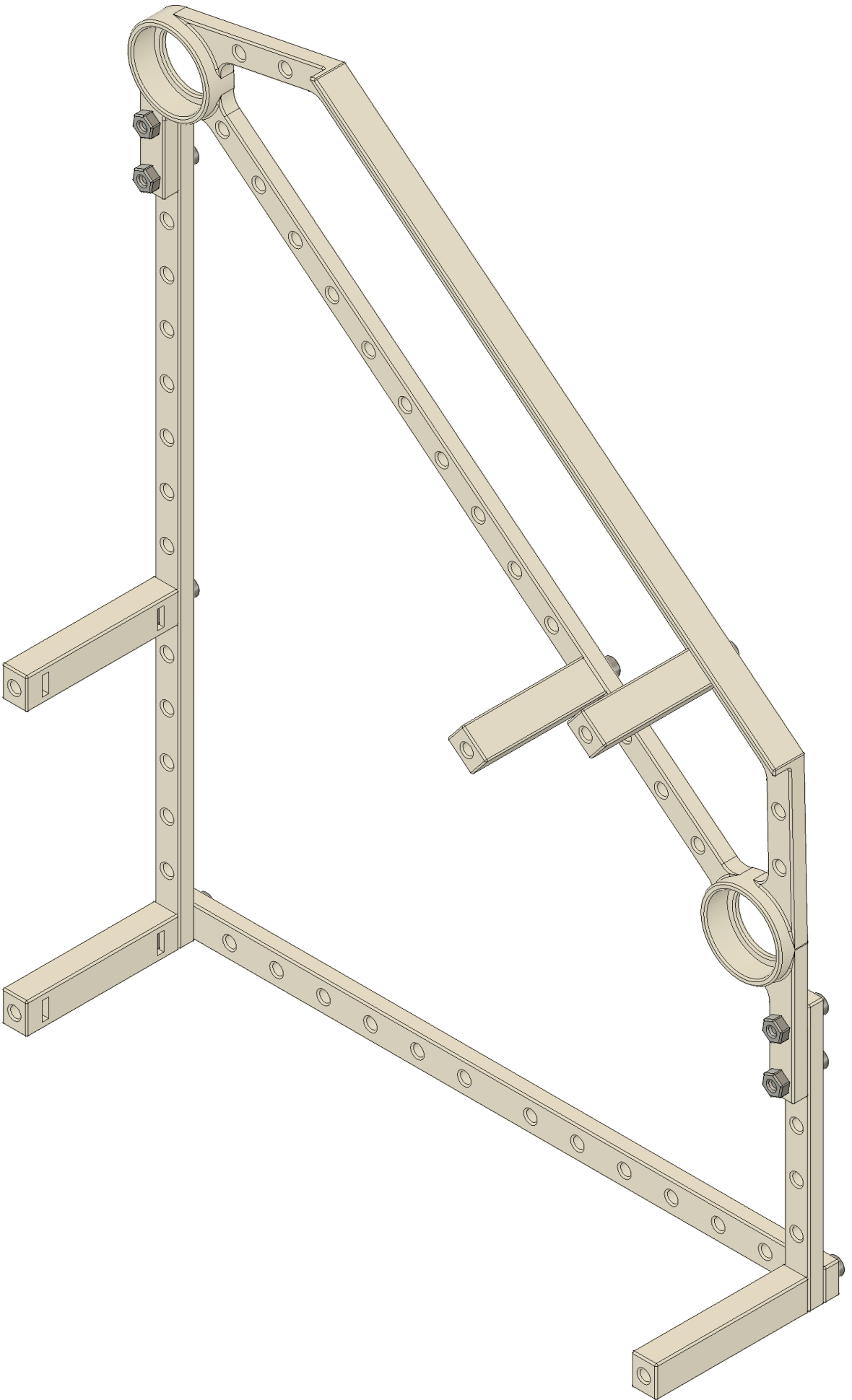


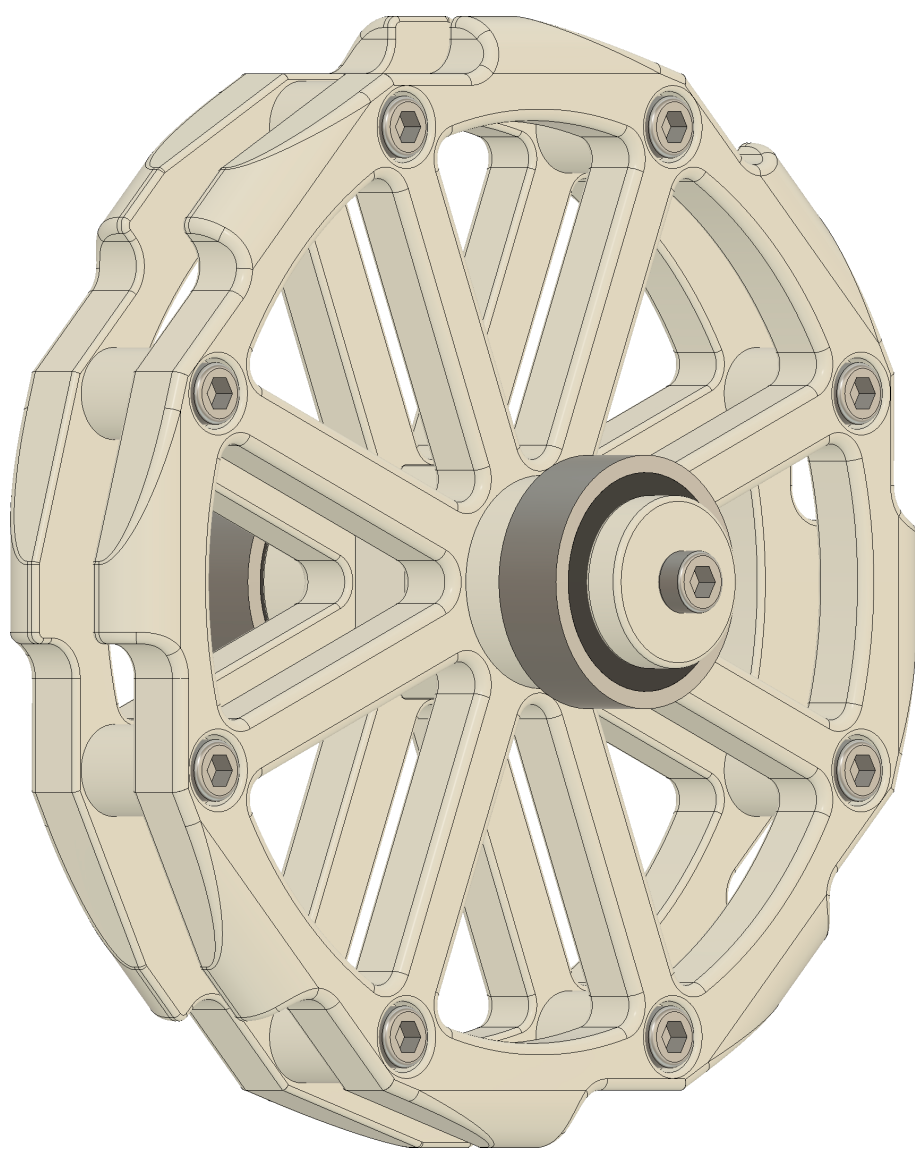
2x



1x



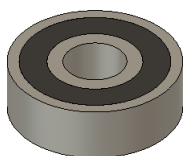




2

Idler roller - bottom

# Parts list



2x  
**Bearing**



2x  
**Square nut**



8x  
**Hex nut**



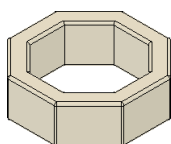
8x  
**M3x16**



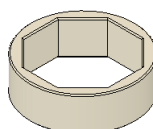
2x  
**M3x25**



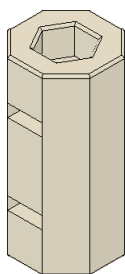
8x  
**Wheel Spacer**



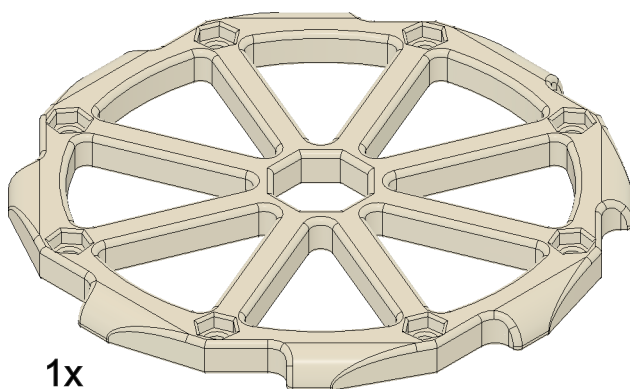
1x  
**Wheel Center Spacer**



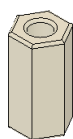
2x  
**Wheel Side Spacer**



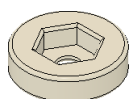
1x  
**Shaft**



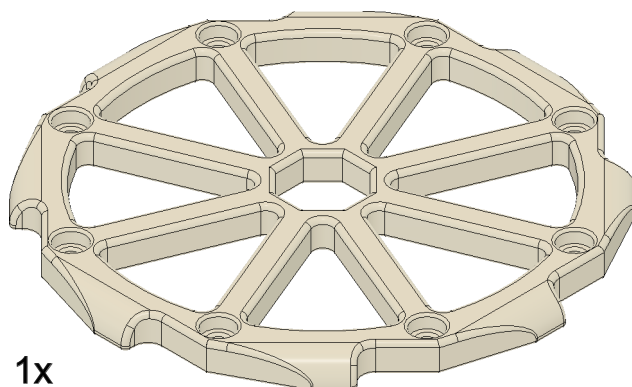
1x  
**Wheel - Nut Side**



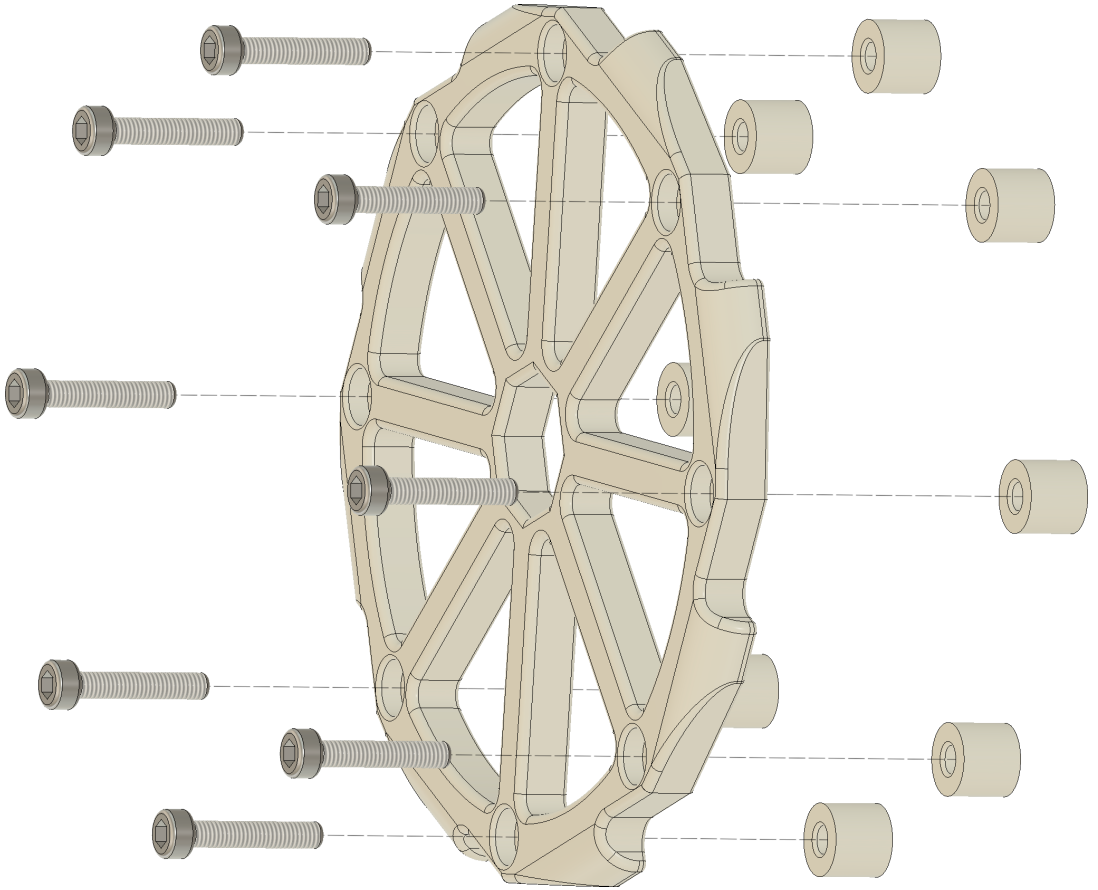
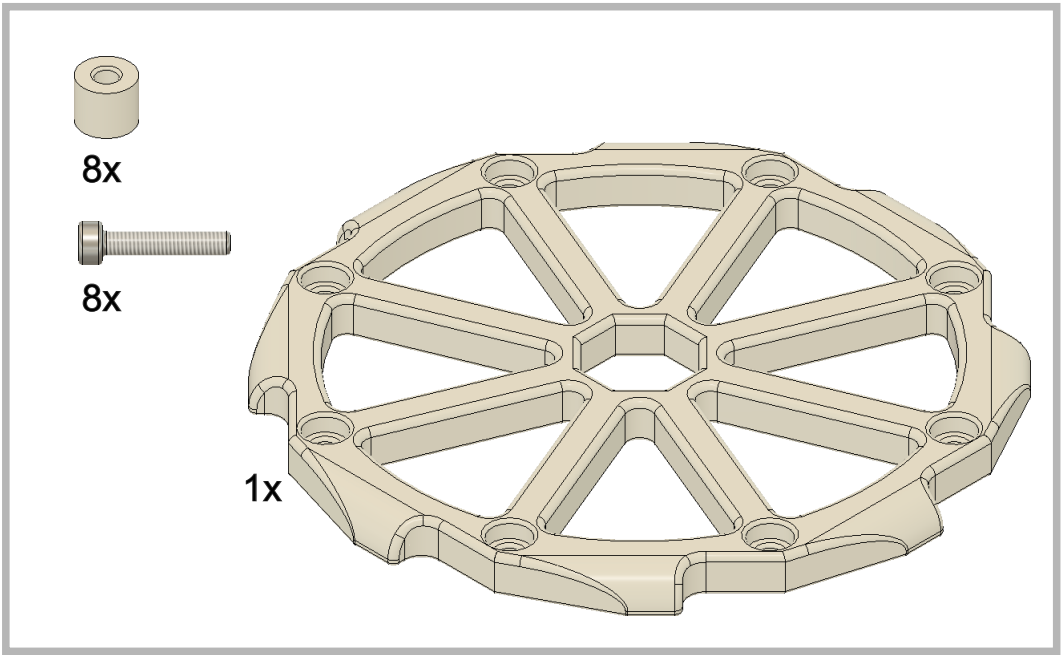
2x  
**Bearing Insert Pin**

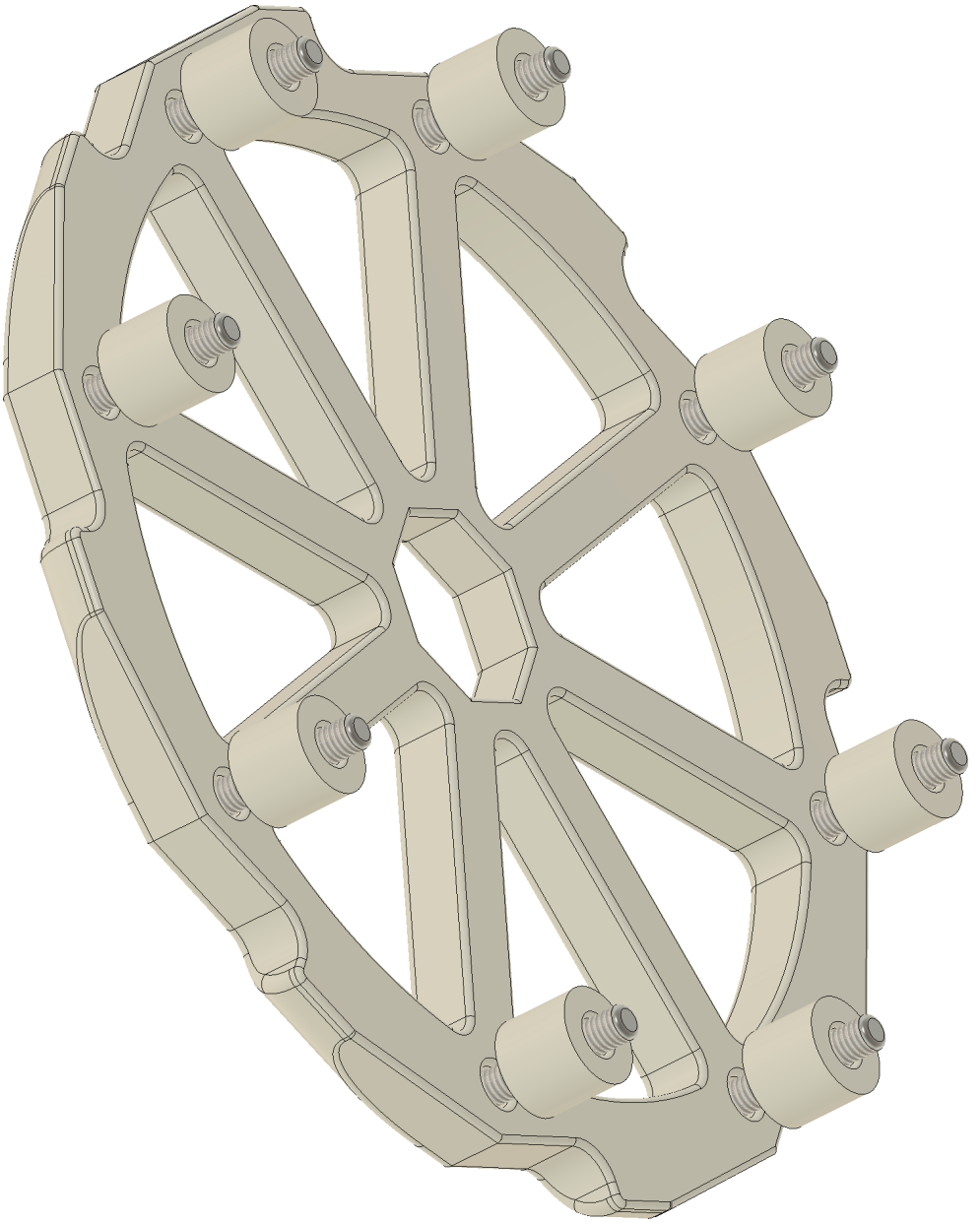


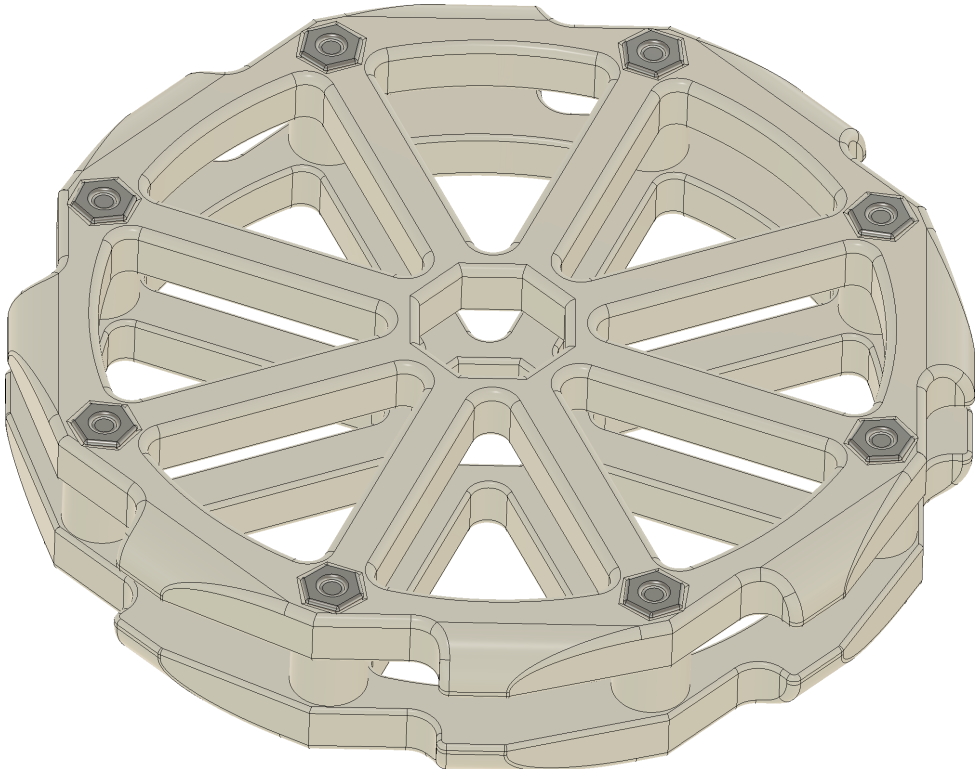
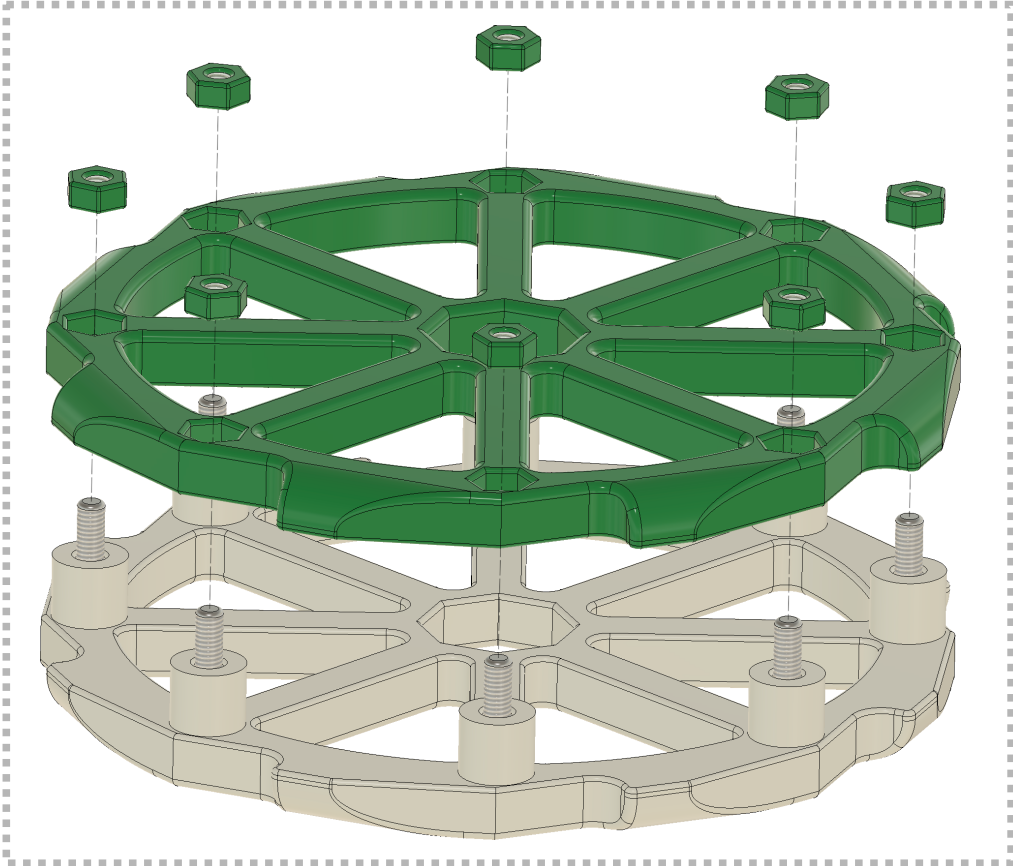
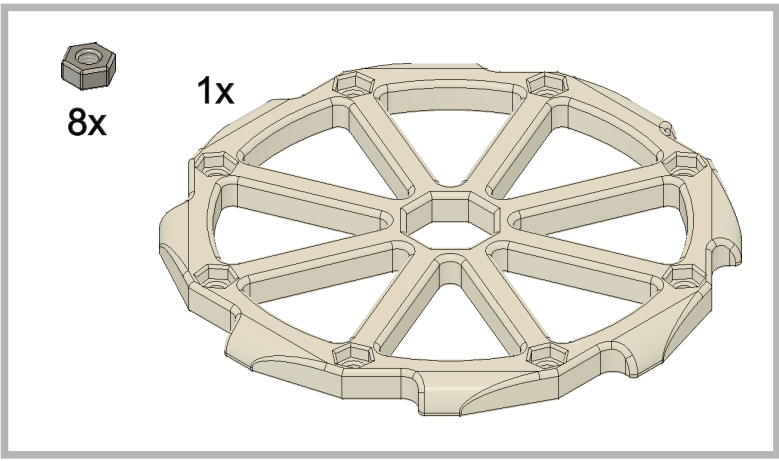
2x  
**Bearing Insert**



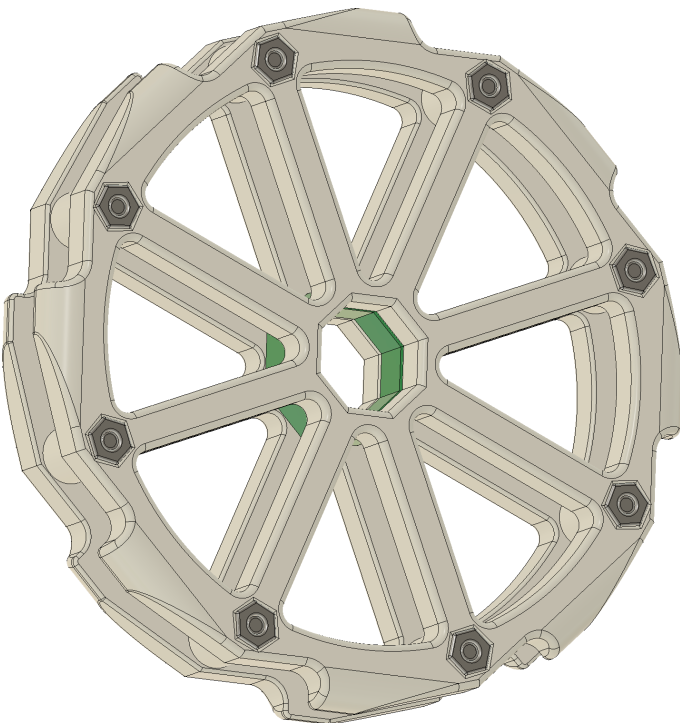
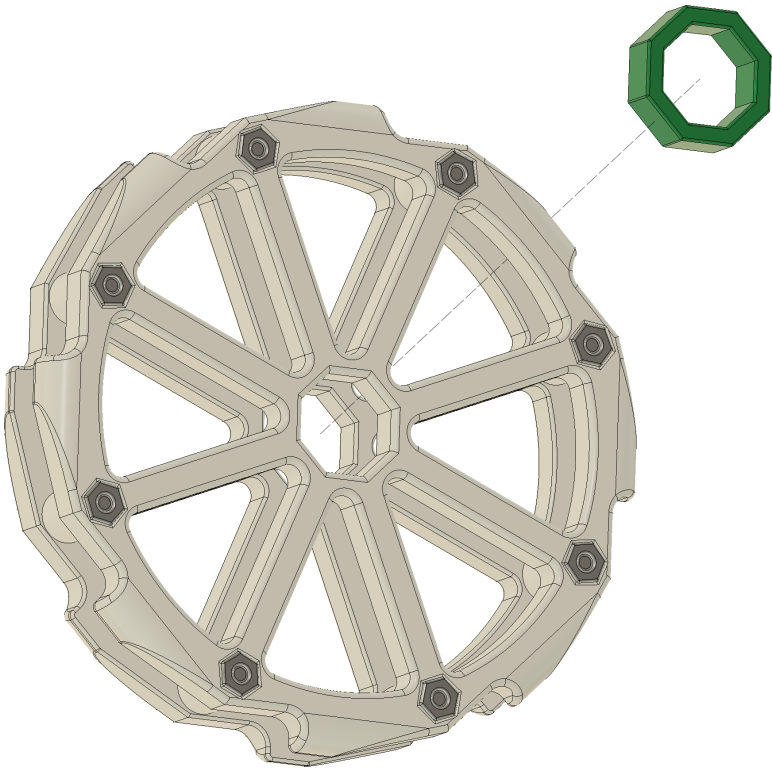
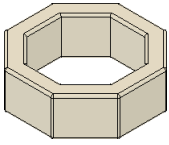
1x  
**Wheel - Screw Side**

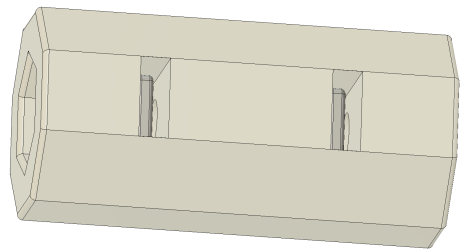
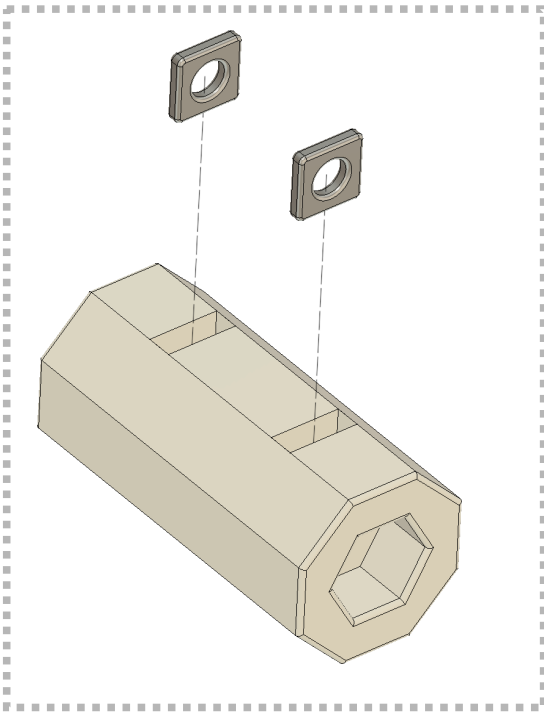
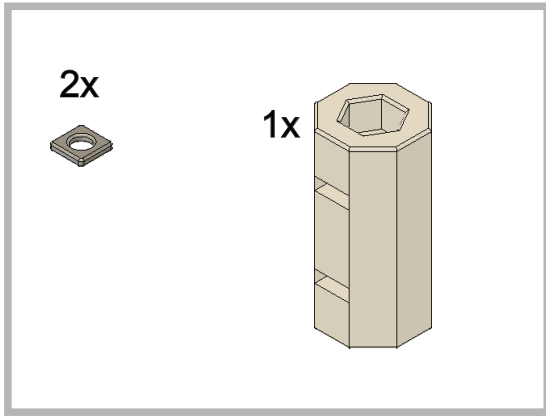




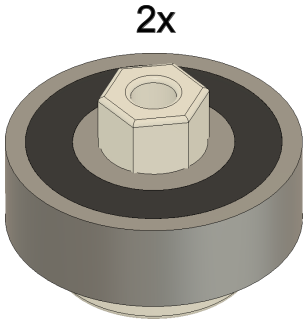
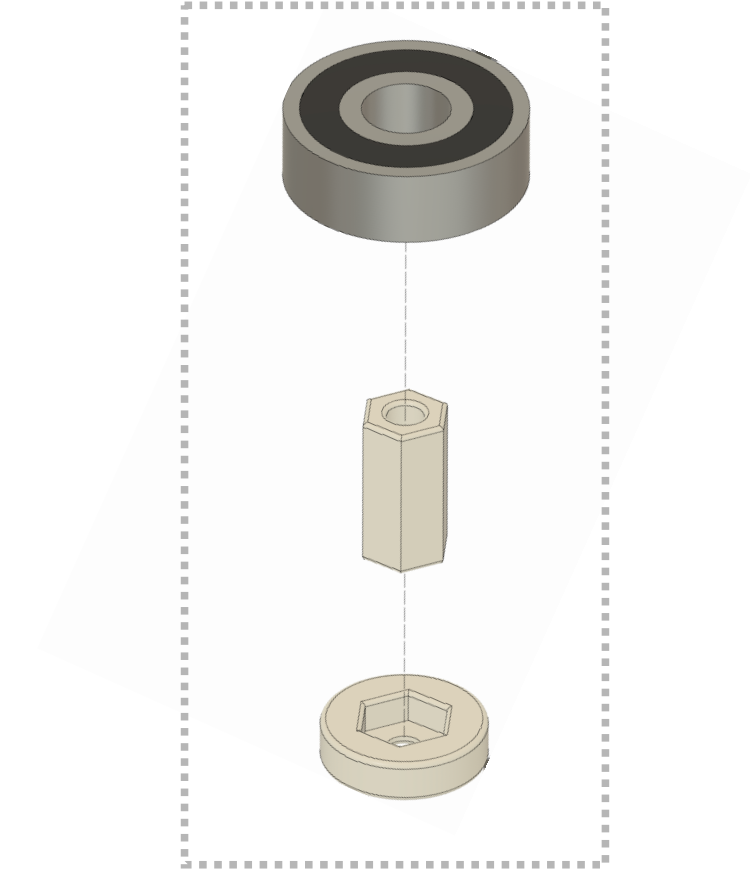
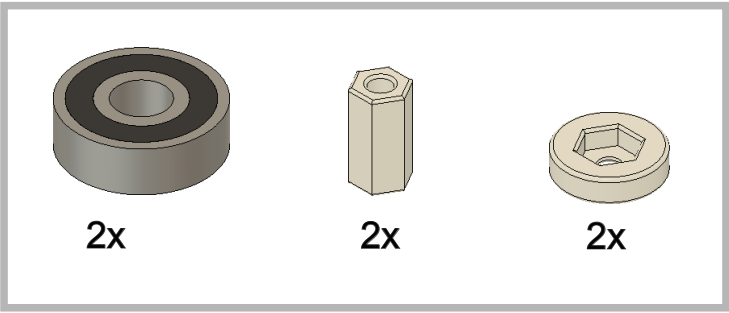


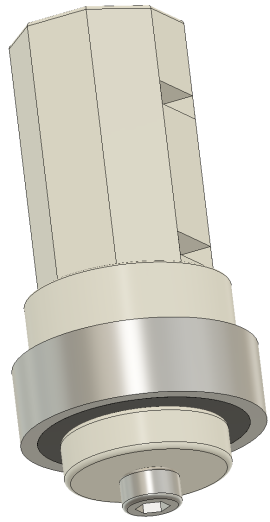
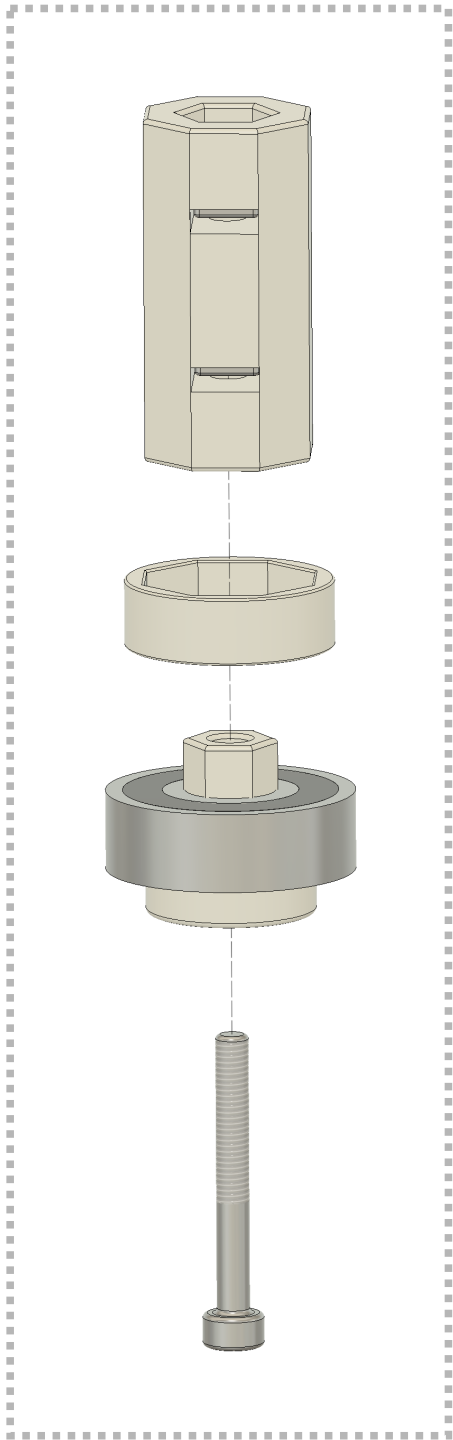
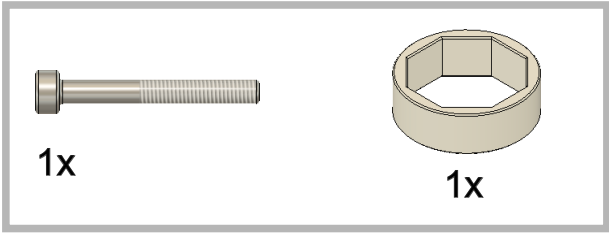
1x

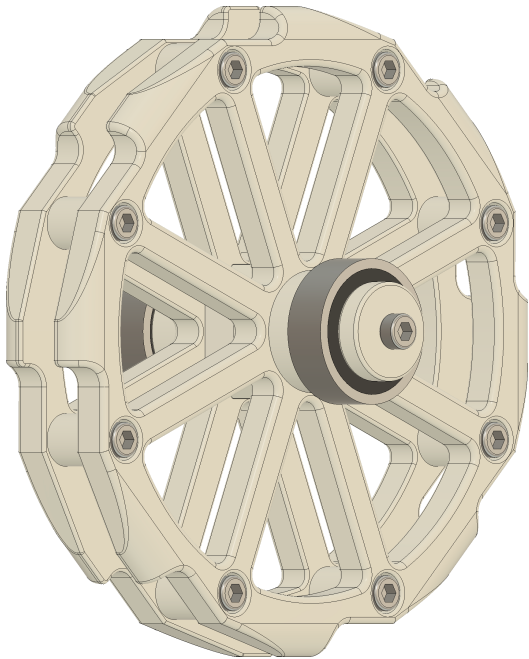
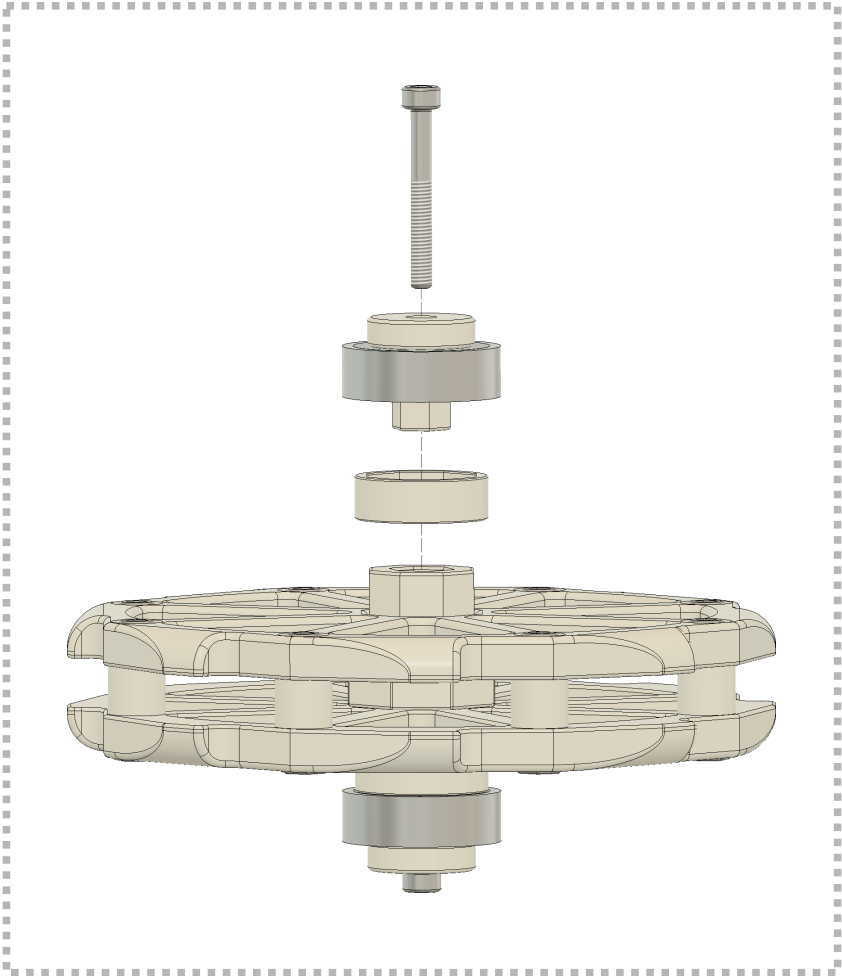
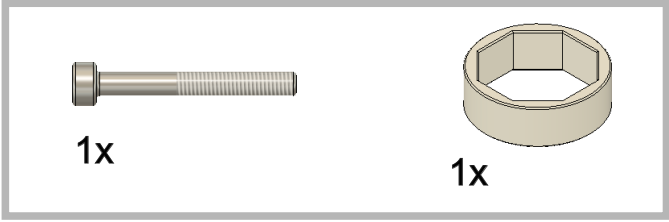


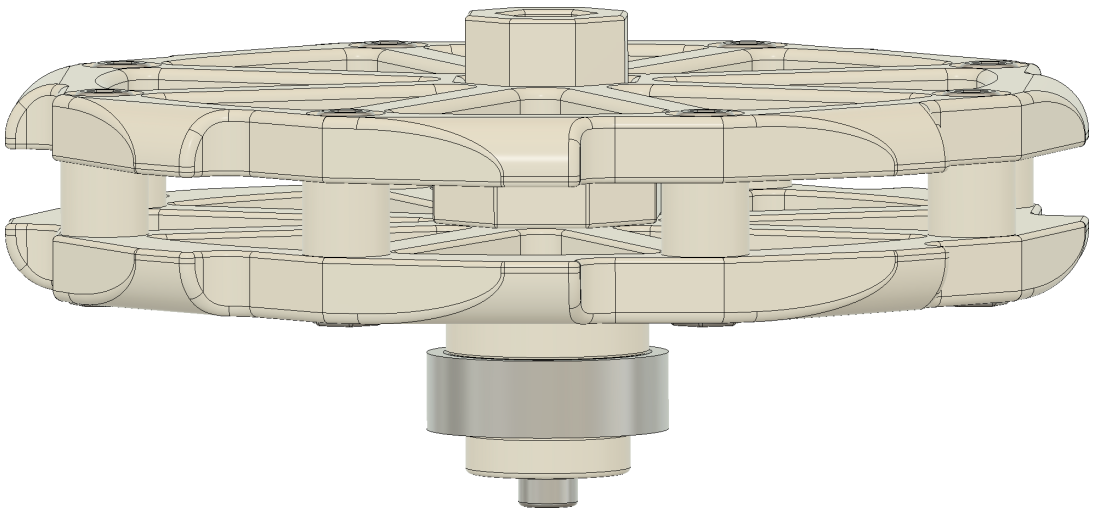


When inserting square nuts into the shaft make sure to press them all the way down (using the smallest allen key). This ensures the screw can reach the nut when inserted from the side later on.





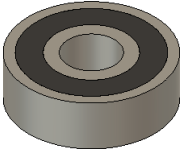




3

Drive roller - top

# Parts list



1x  
**Bearing**



2x  
**Square nut**



8x  
**Hex nut**



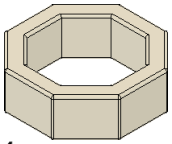
8x  
**M3x16**



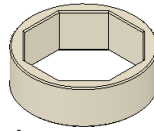
1x  
**M3x25**



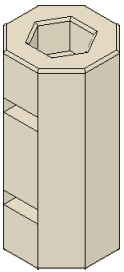
8x  
**Wheel Spacer**



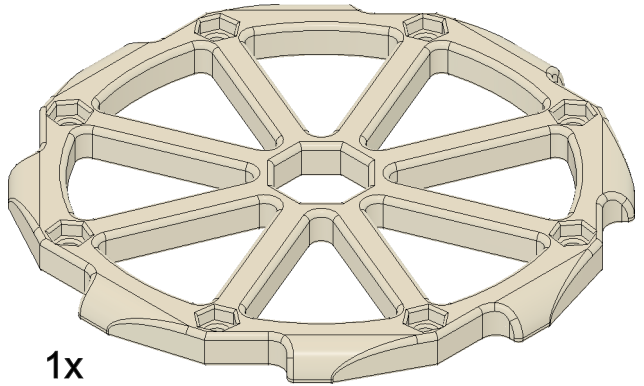
1x  
**Wheel Center Spacer**



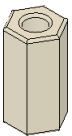
1x  
**Wheel Side Spacer**



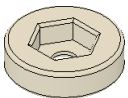
1x  
**Shaft**



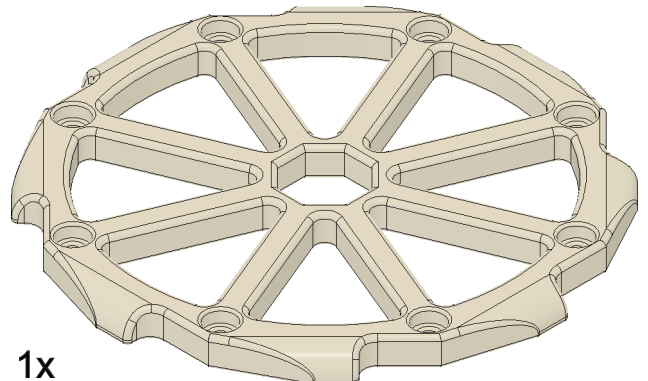
1x  
**Wheel - Nut Side**



1x  
**Bearing Insert Pin**



1x  
**Bearing Insert**



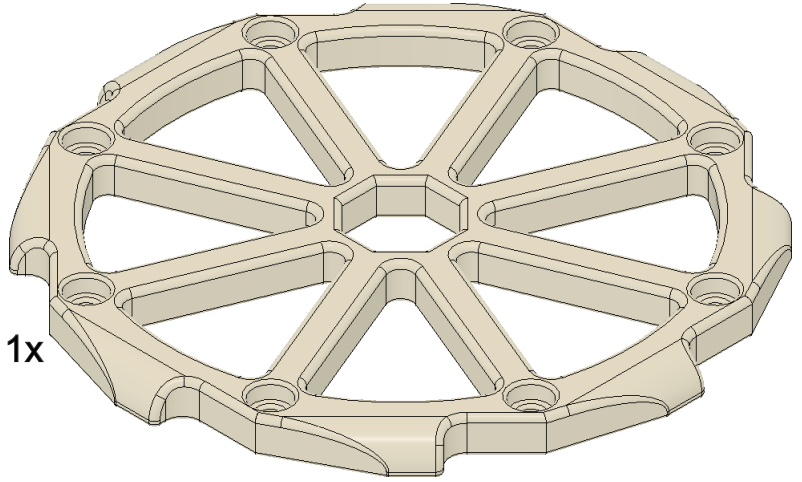
1x  
**Wheel - Screw Side**



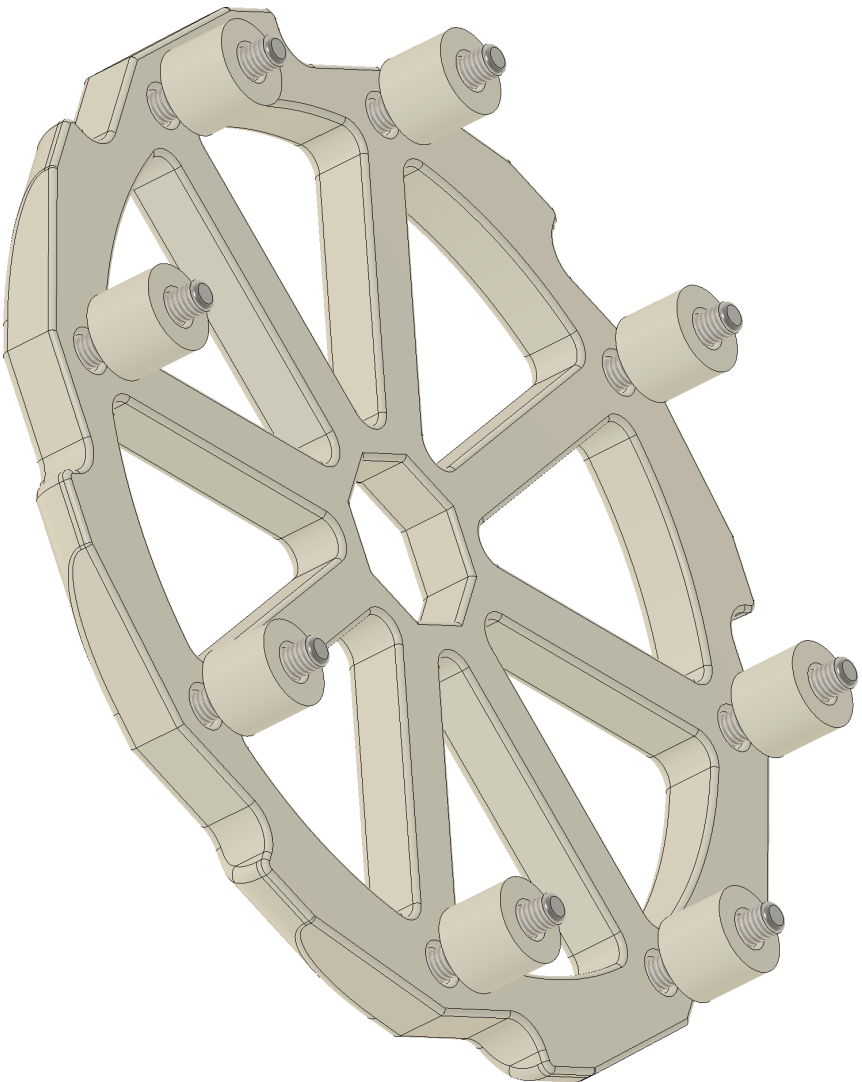
8x

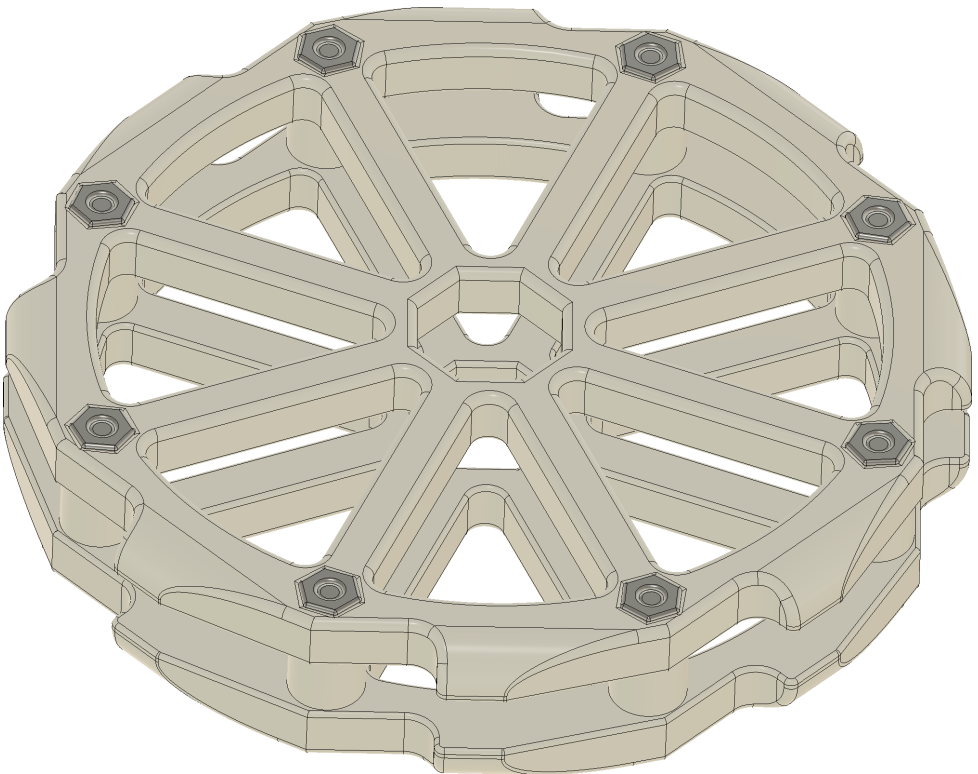
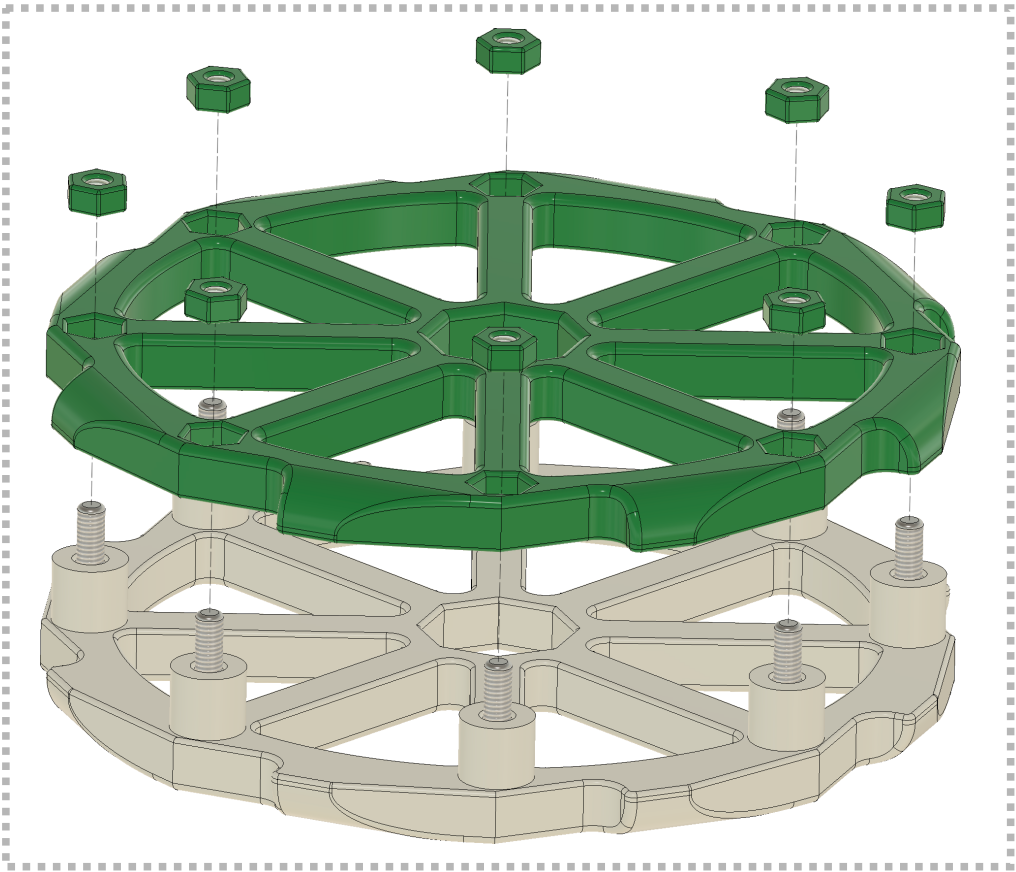
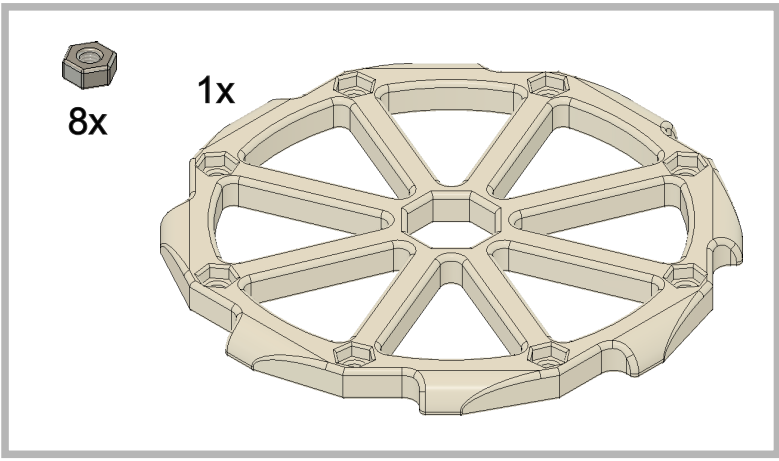


8x

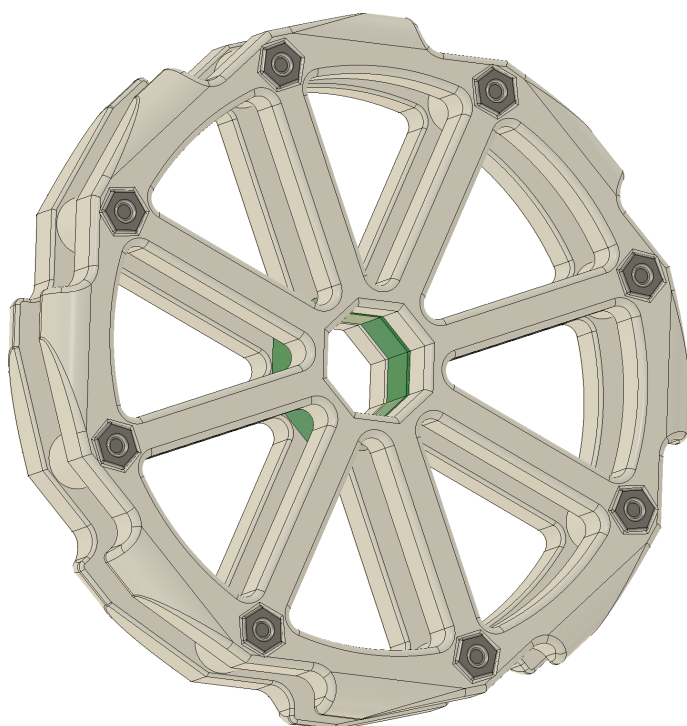
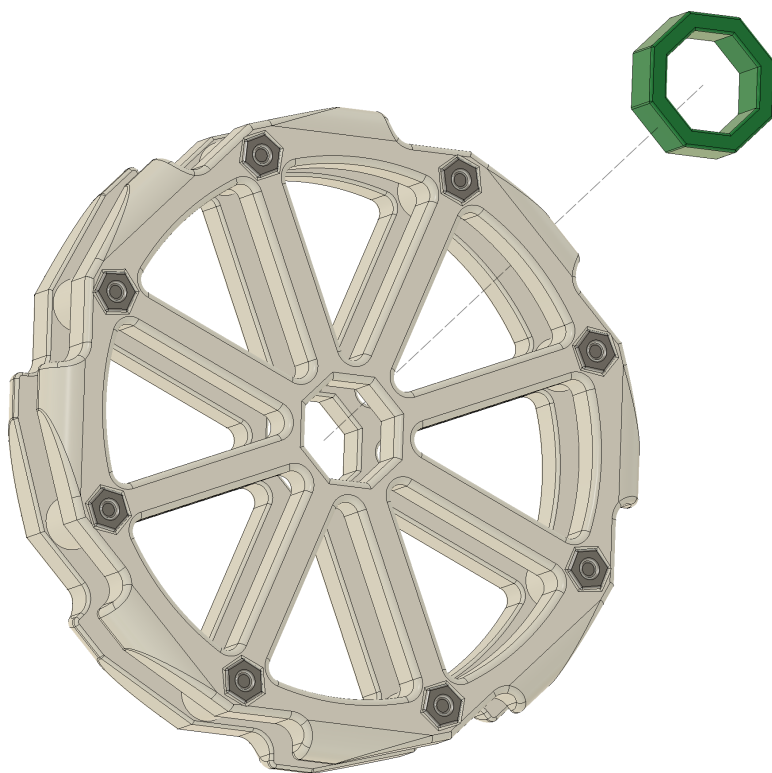
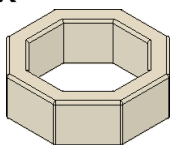


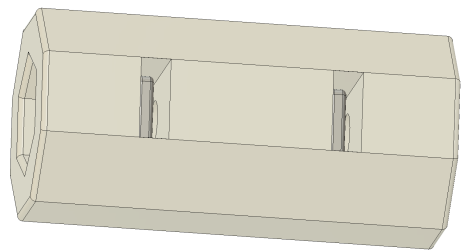
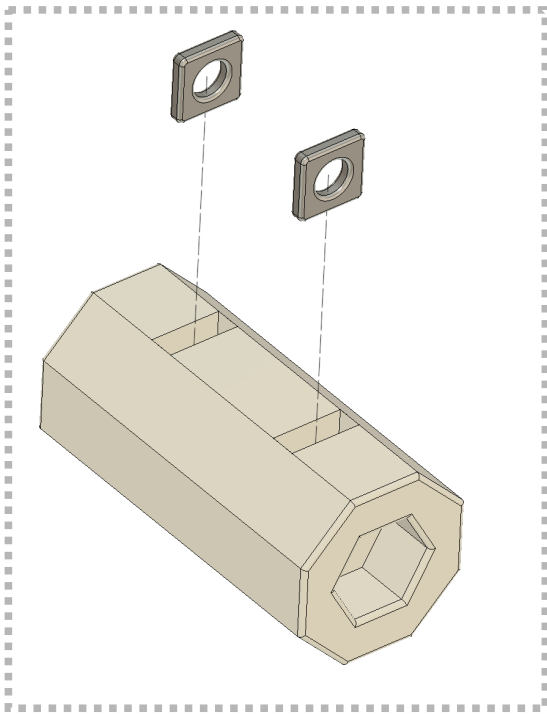
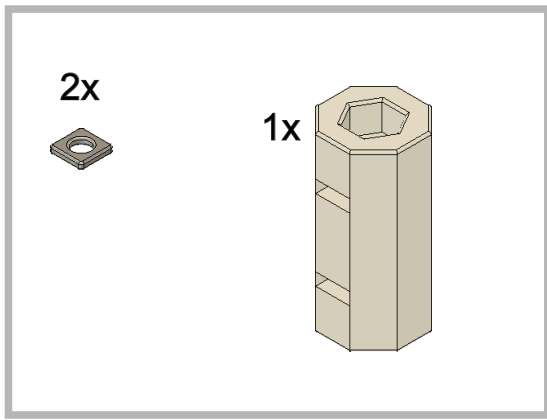
1x



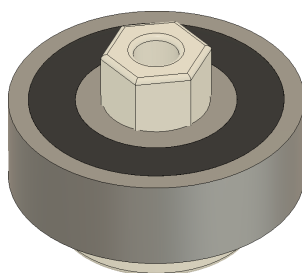
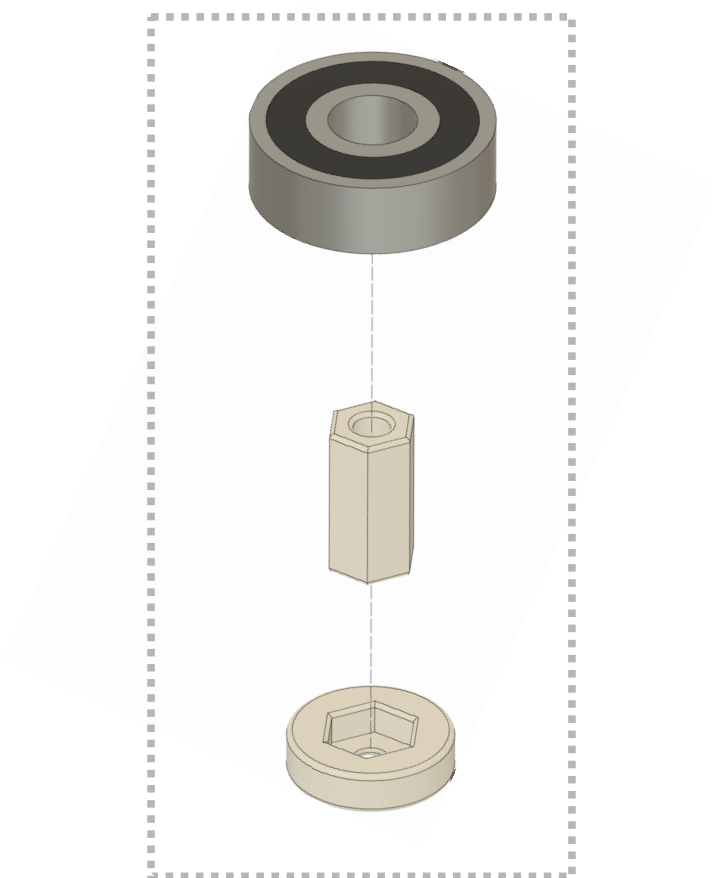
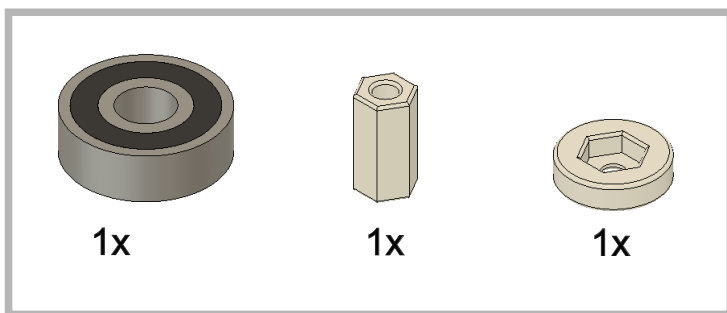


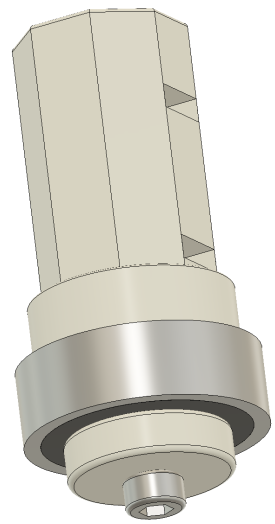
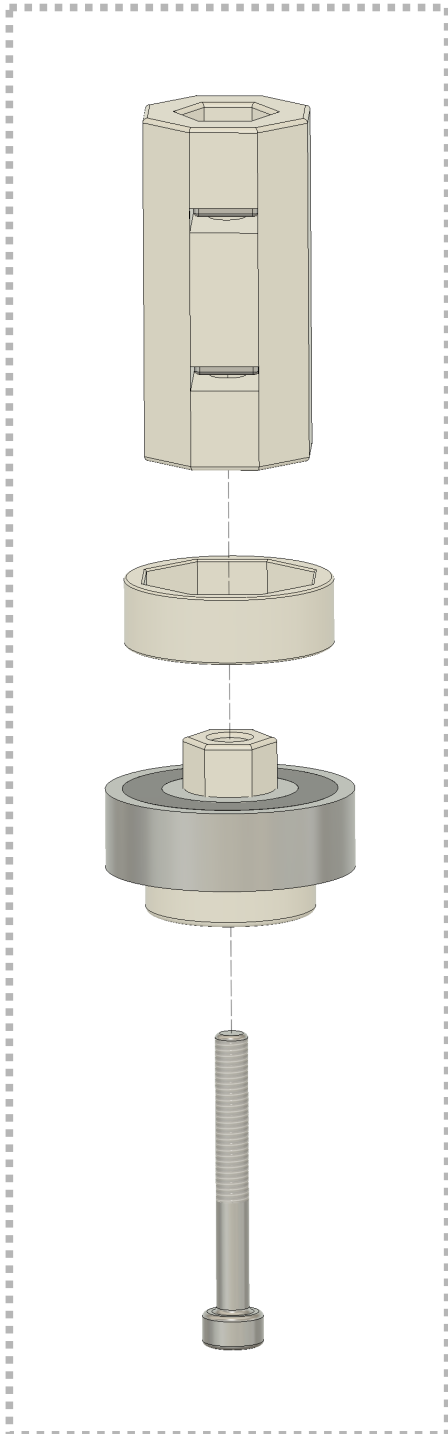
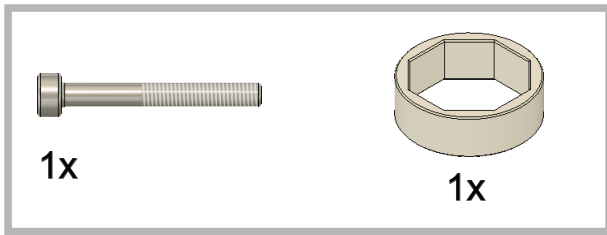
1x

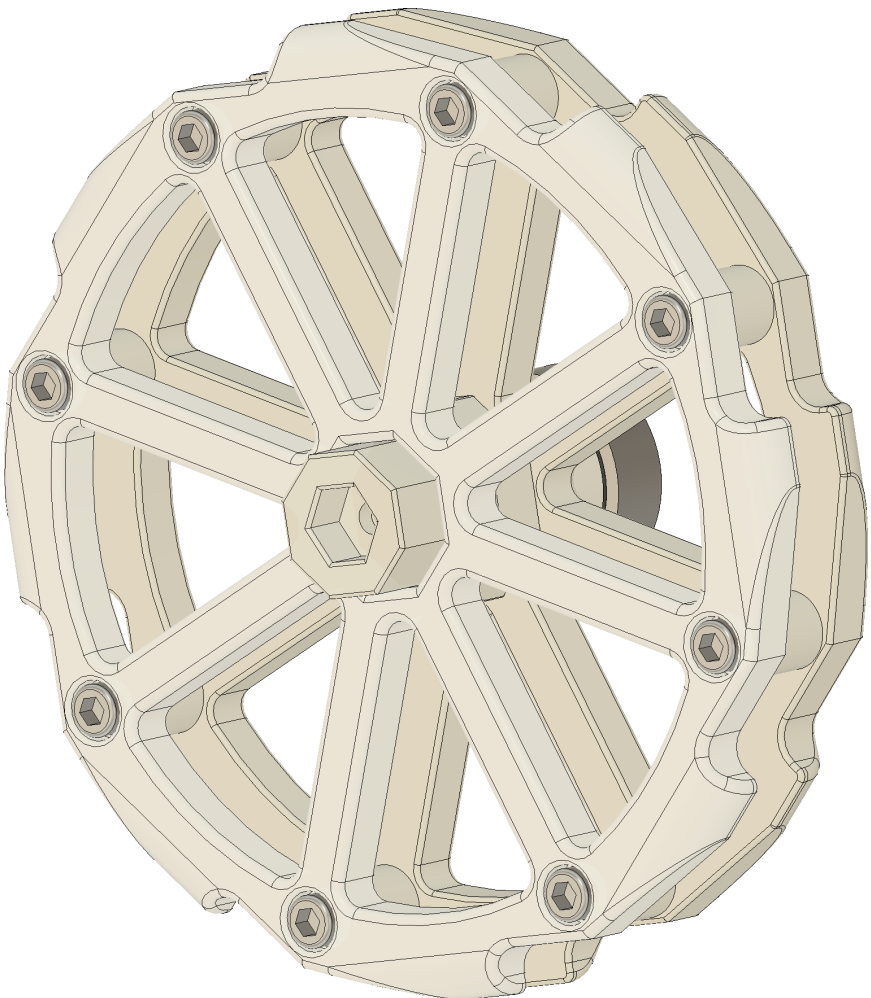
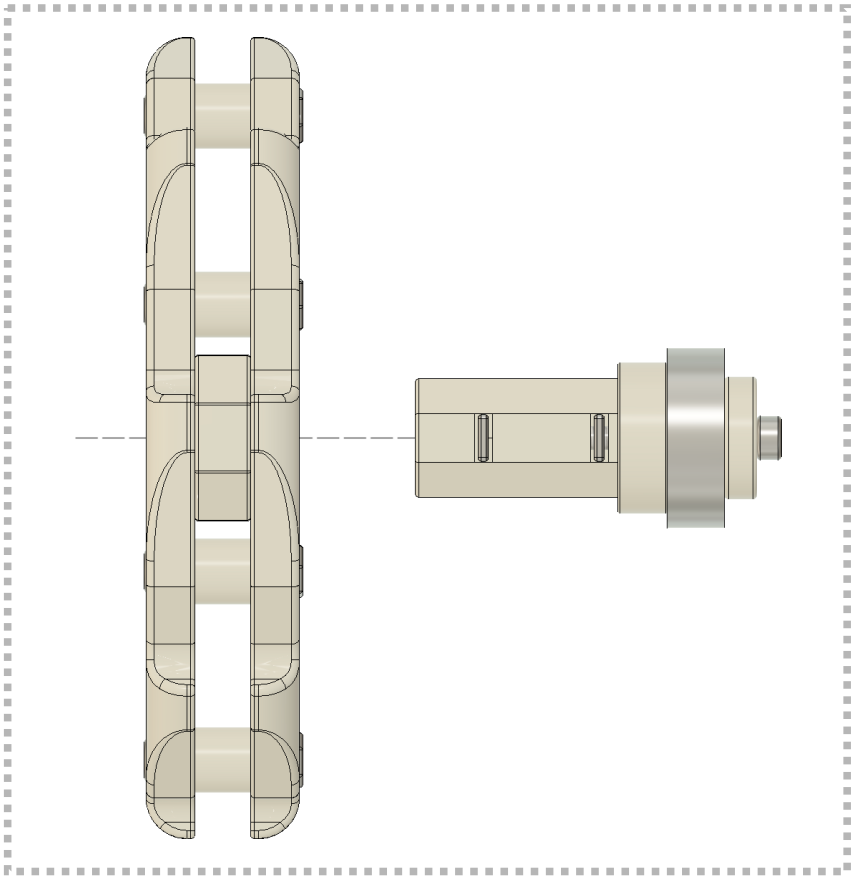


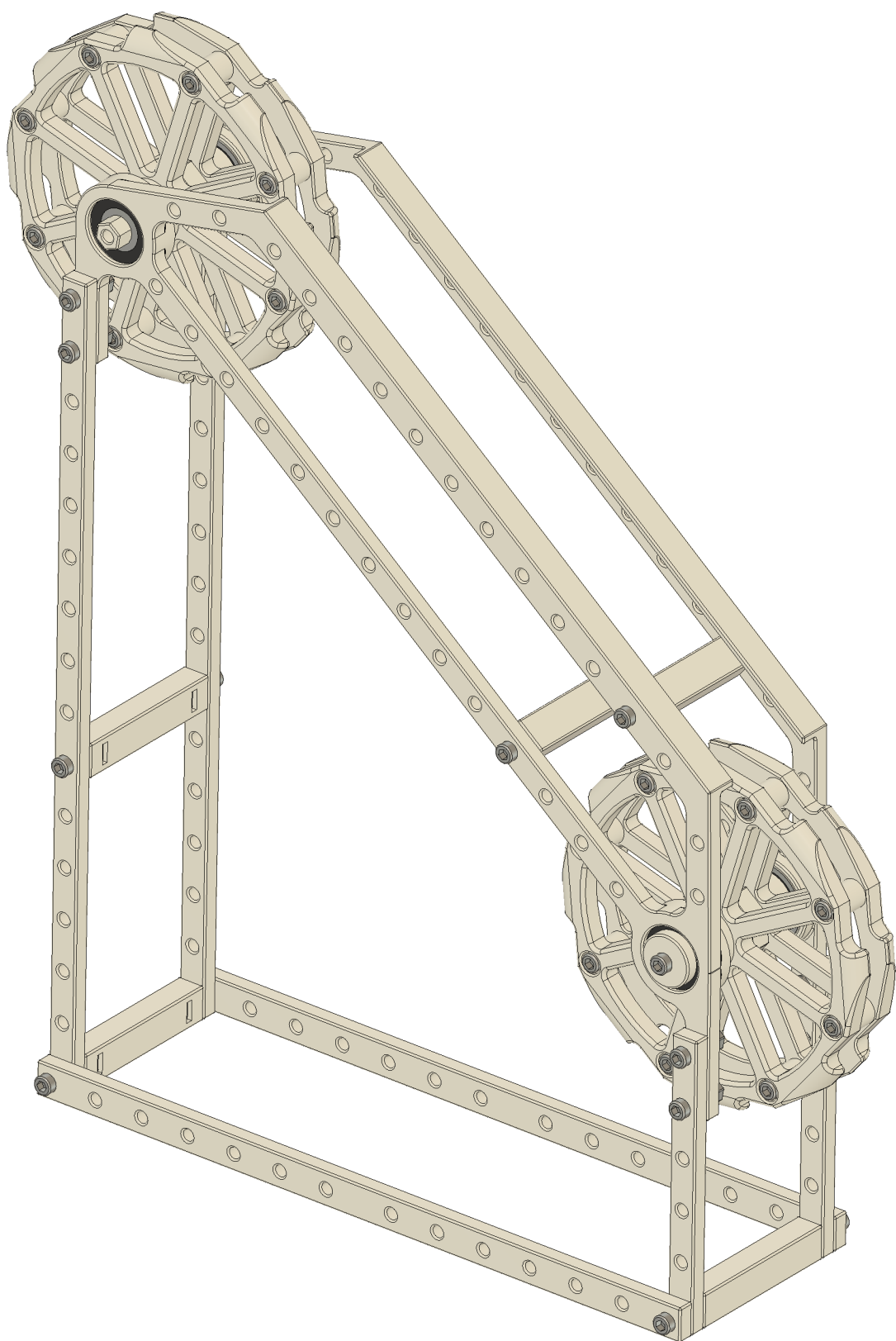


When inserting square nuts into the shaft make sure to press them all the way down (using the smallest allen key). This ensures the screw can reach the nut when inserted from the side later on.









4

Main chassis - closing

# Parts list



5x  
**Square nut**



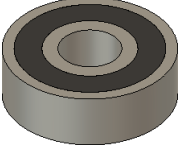
4x  
**Hex nut**



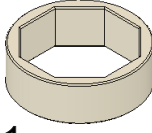
5x  
**M3x20**



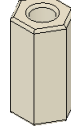
4x  
**M3x12**



1x  
**Bearing**

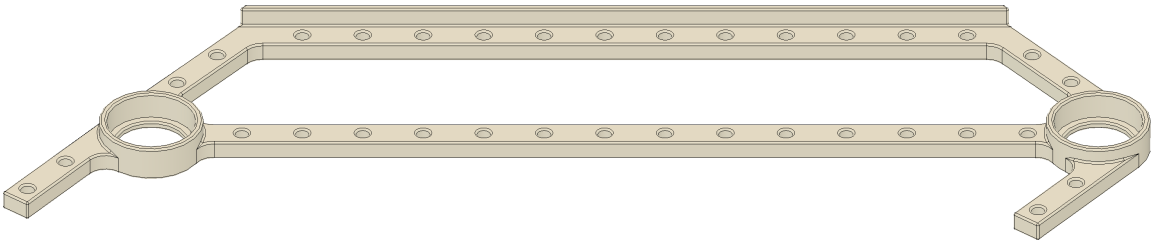


1x  
**Wheel Side Spacer**



1x  
**Spur Gear Pin**

1x  
**Beam Gears - Mirror**



1x  
**Stand Leg - Long**

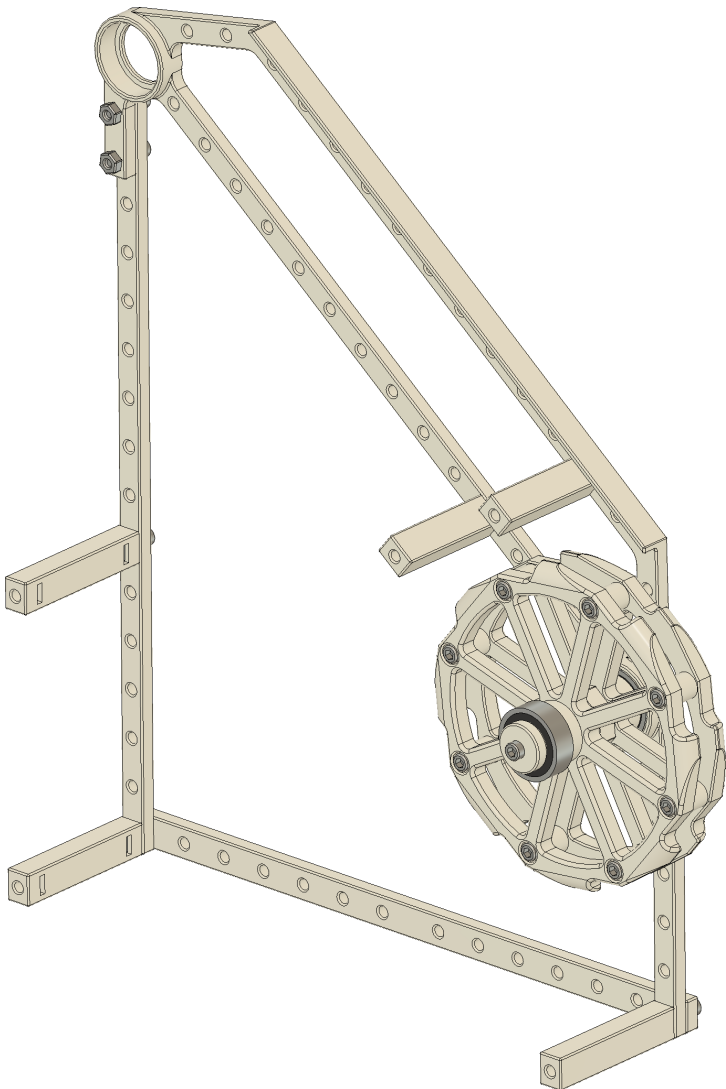
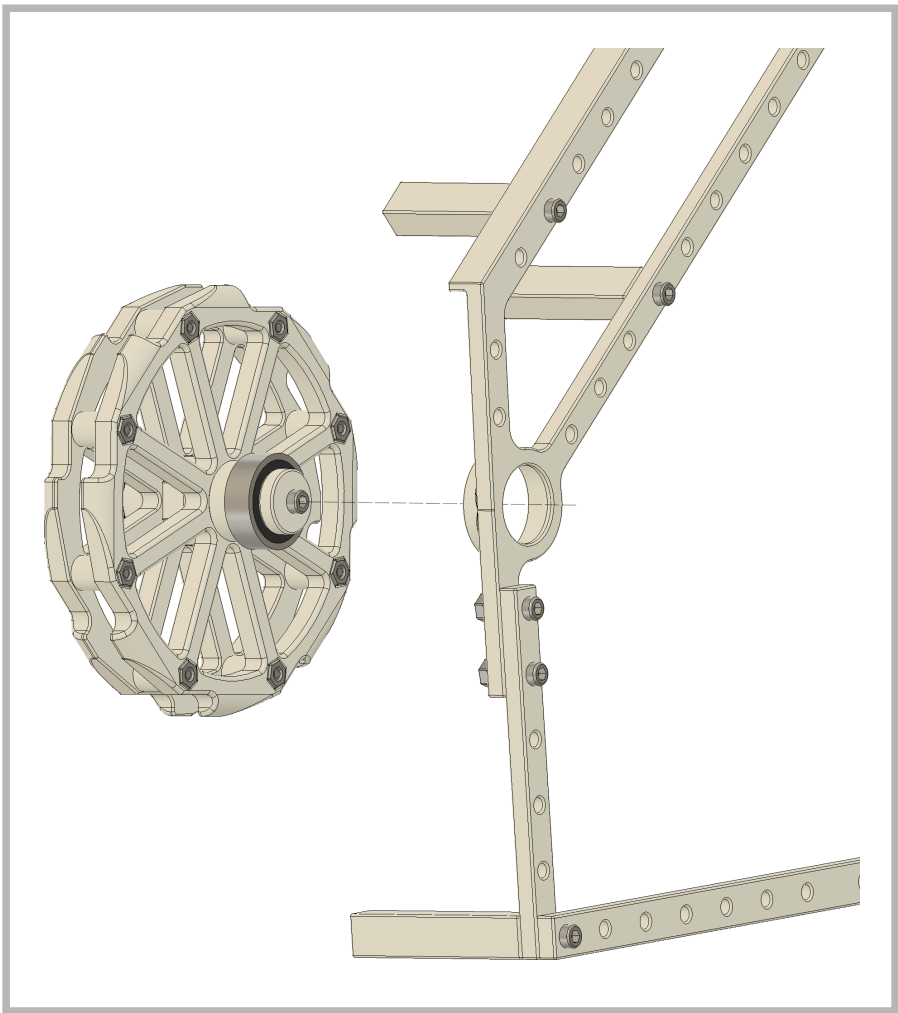


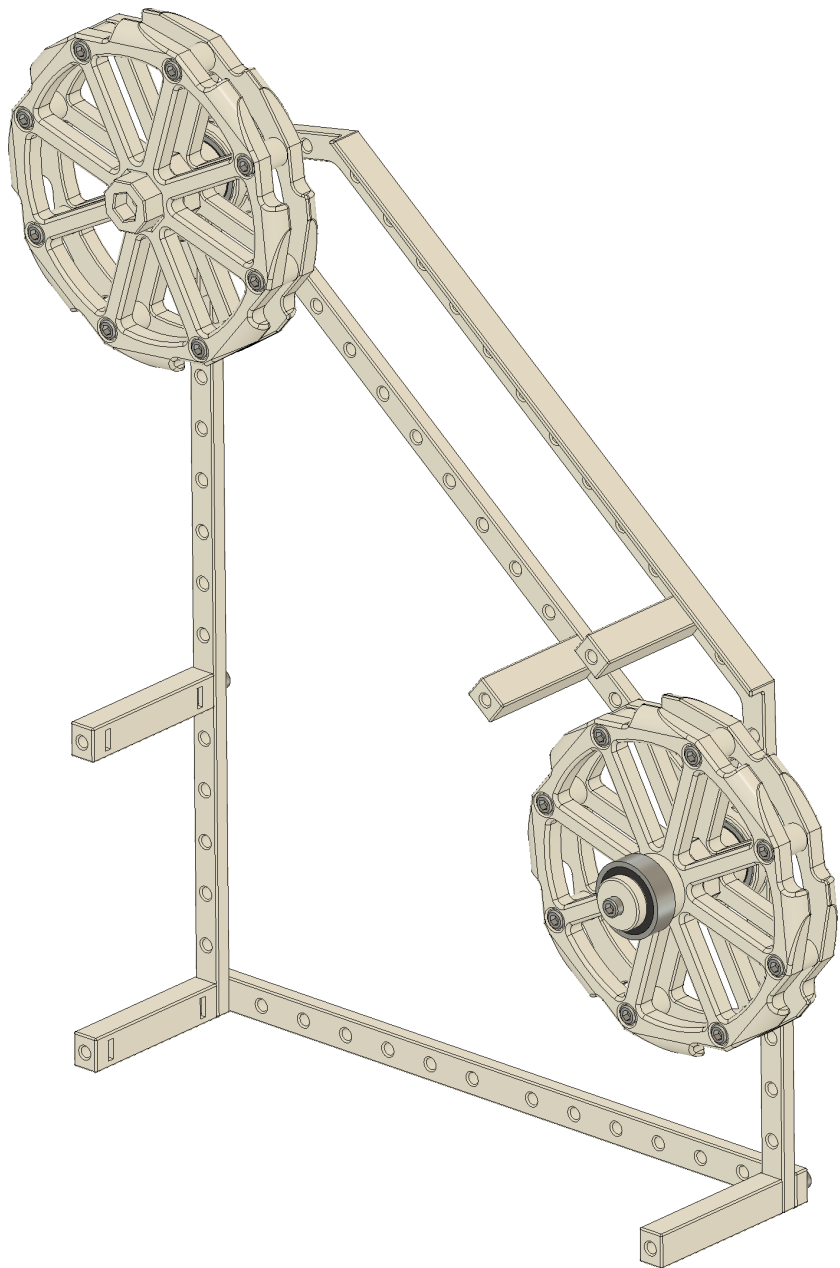
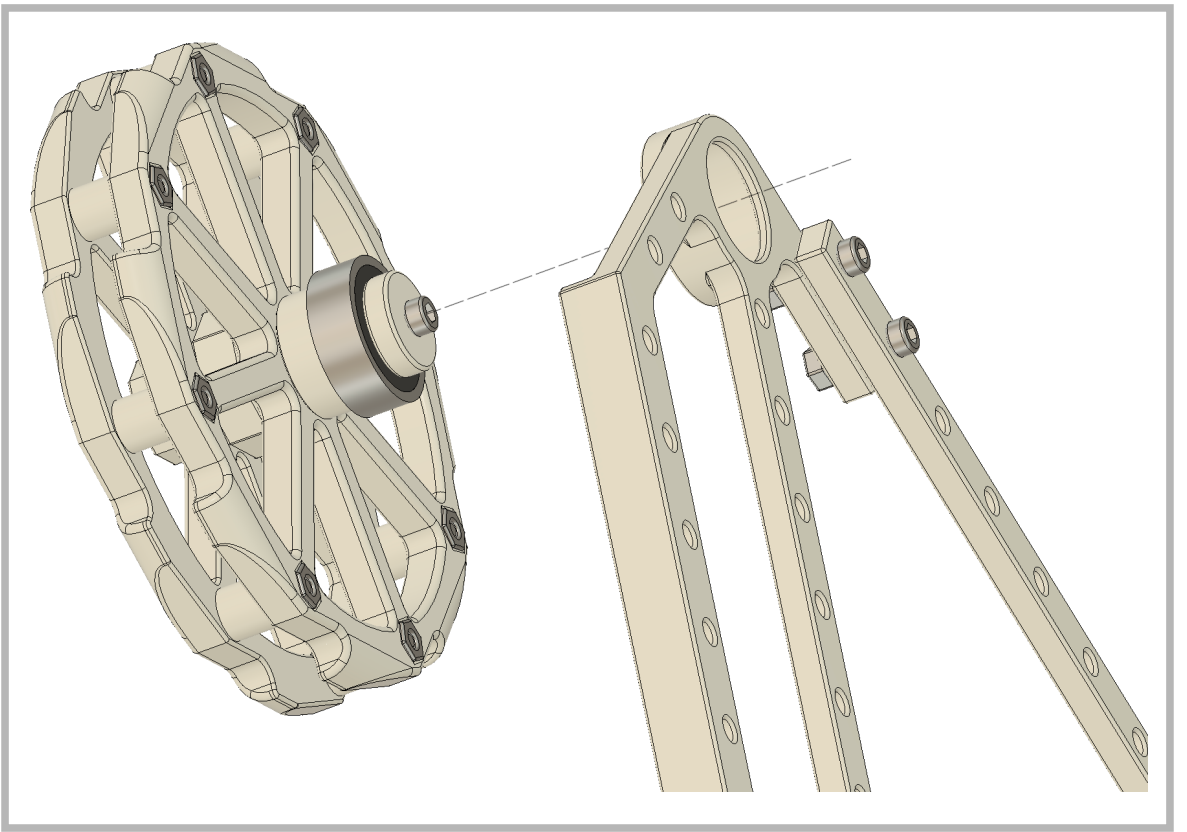
1x  
**Stand Leg - Short**

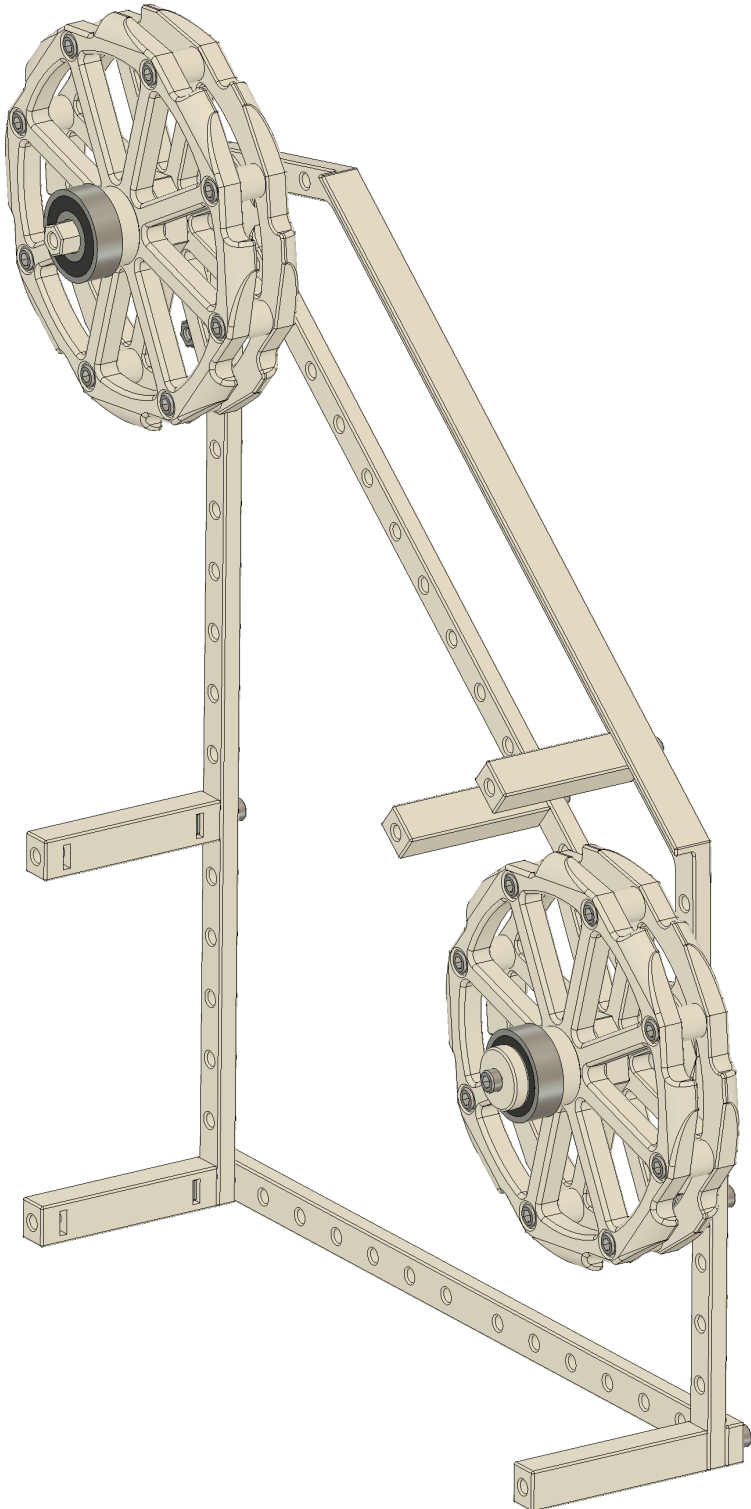
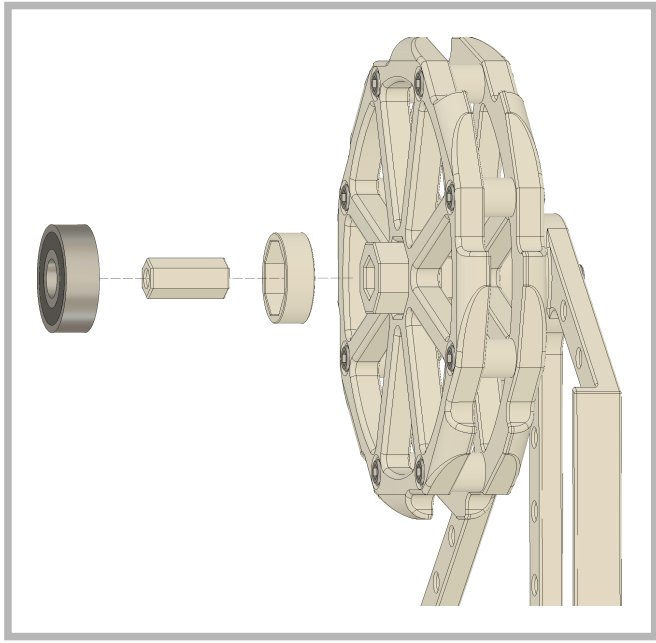
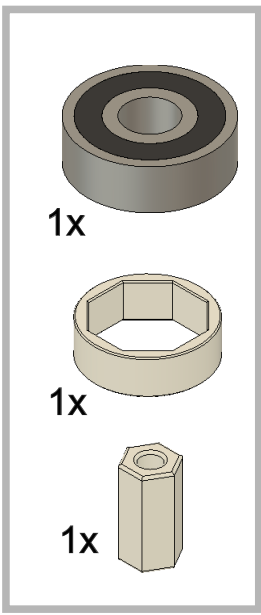


1x  
**Stand Base Beam**











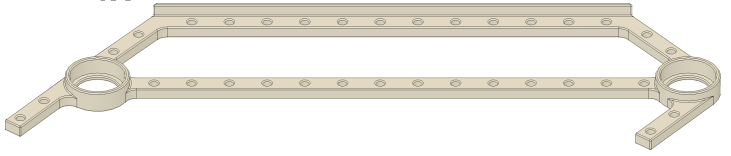
4x



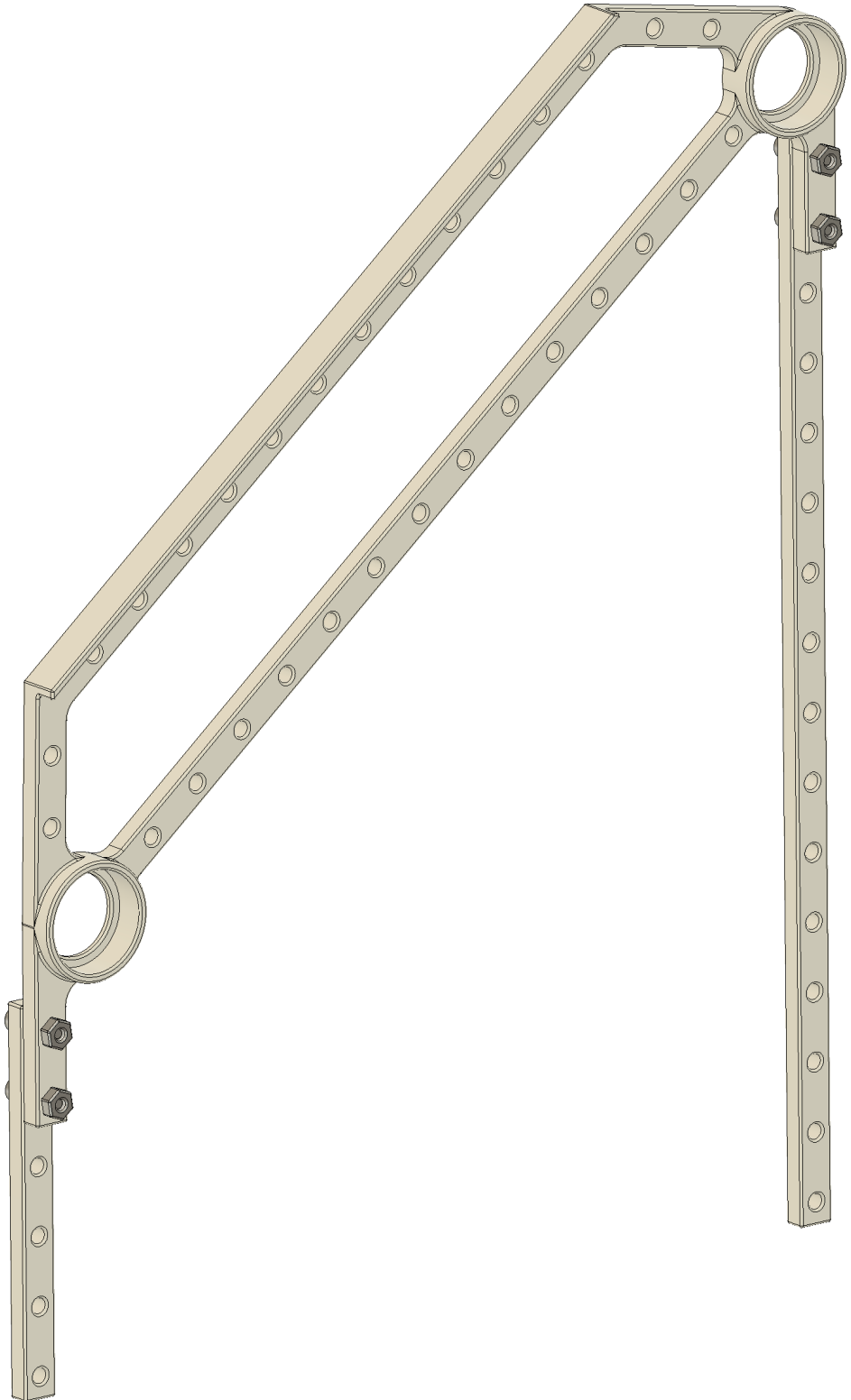
4x

1x

1x



1x





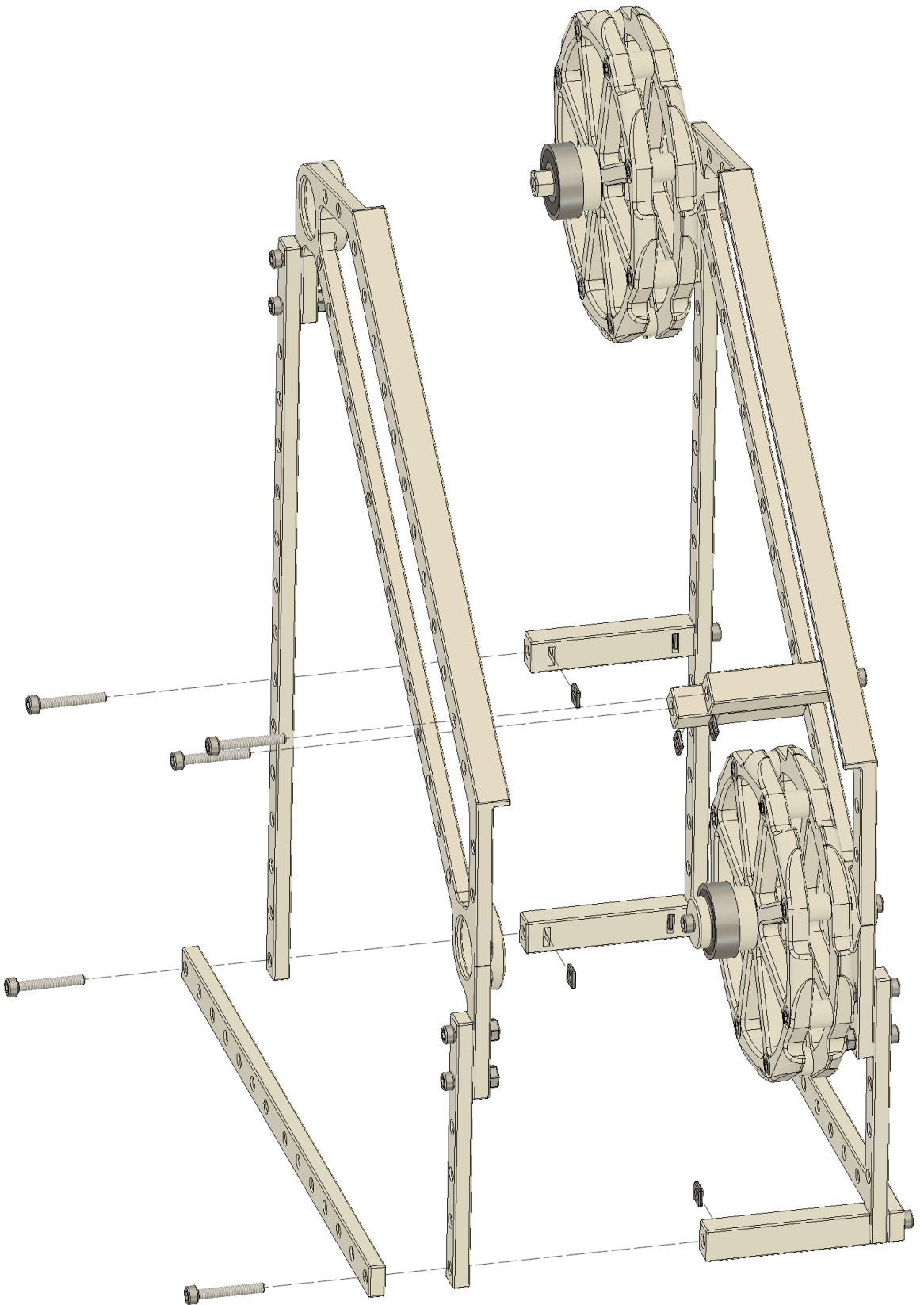
1x

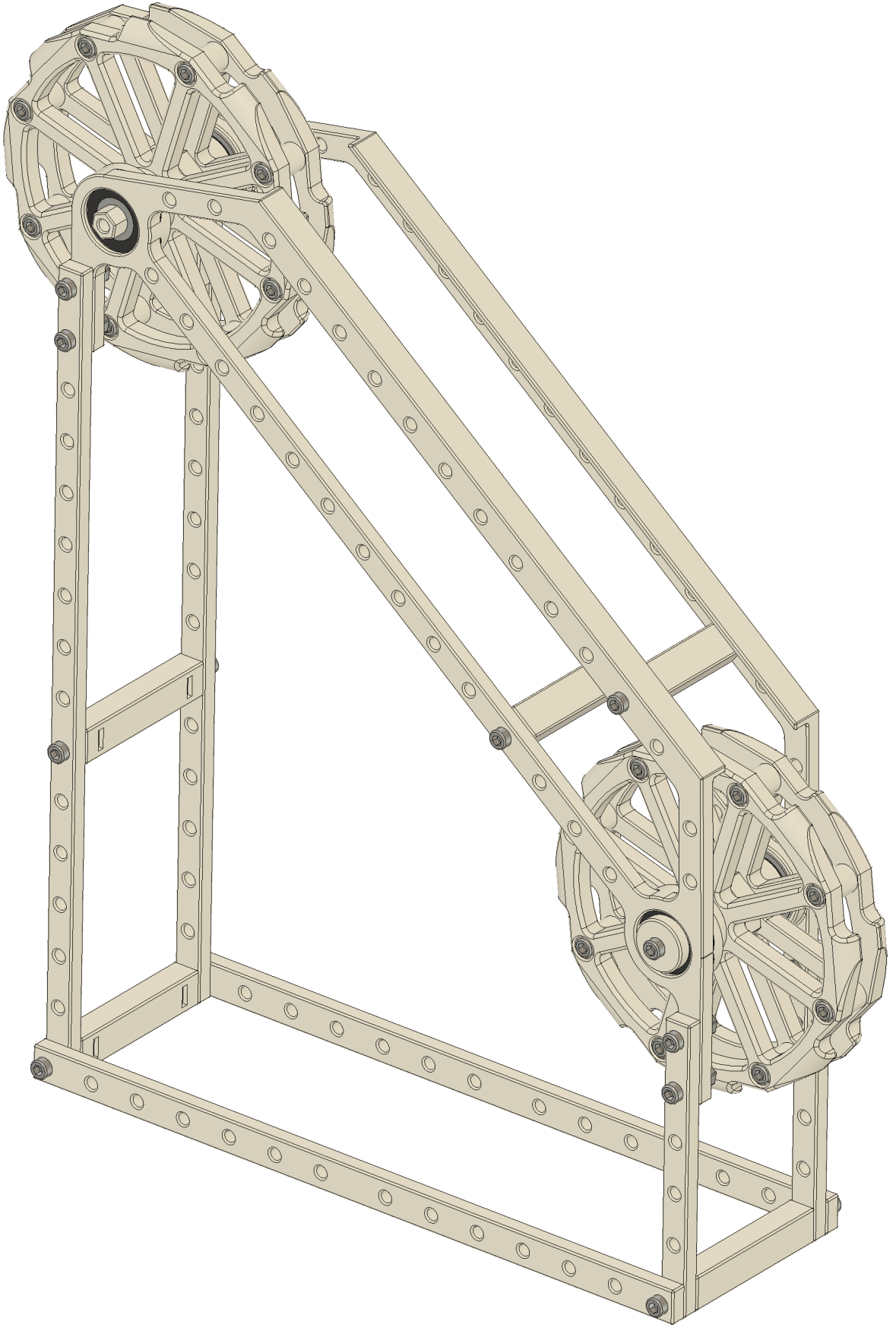


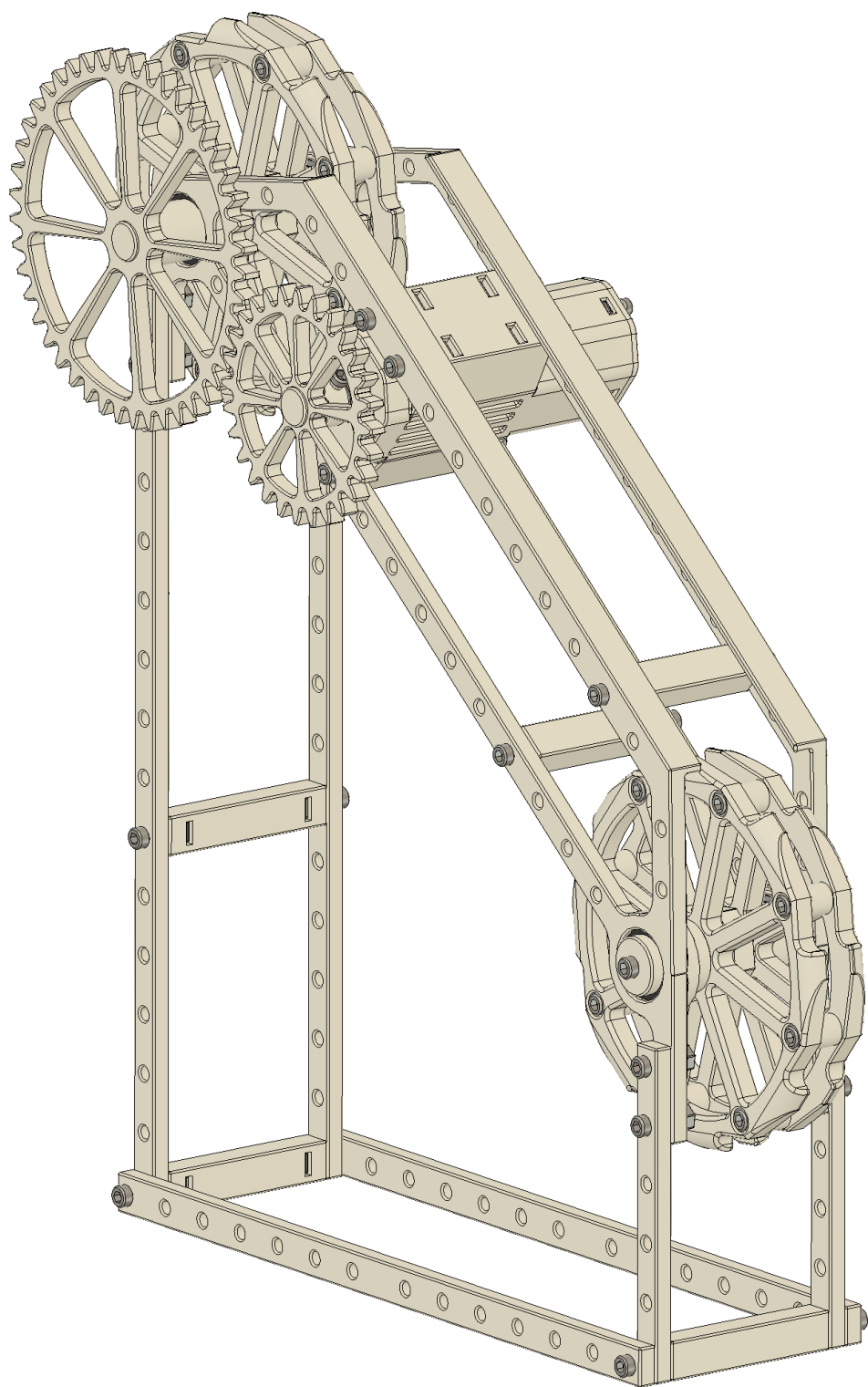
5x



5x







5

Motor set

# Parts list



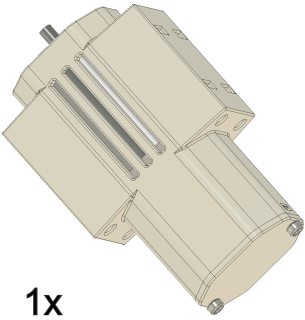
8x  
**M3x20**



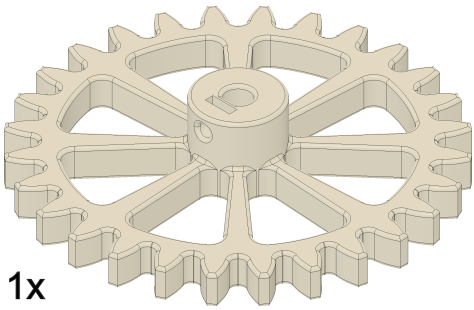
1x  
**M3x25**



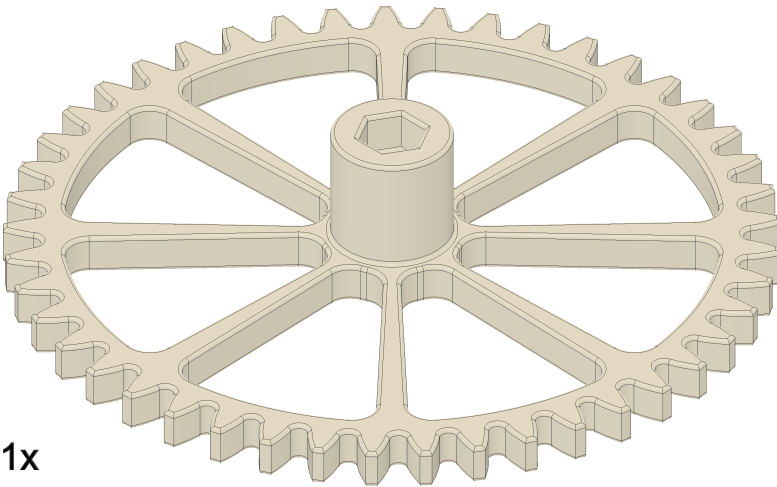
2x  
**Spur gear cap**



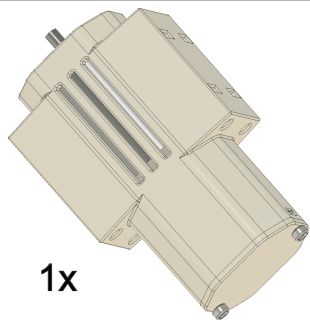
1x  
**Motor module**



1x  
**Spur gear (28 teeth)**



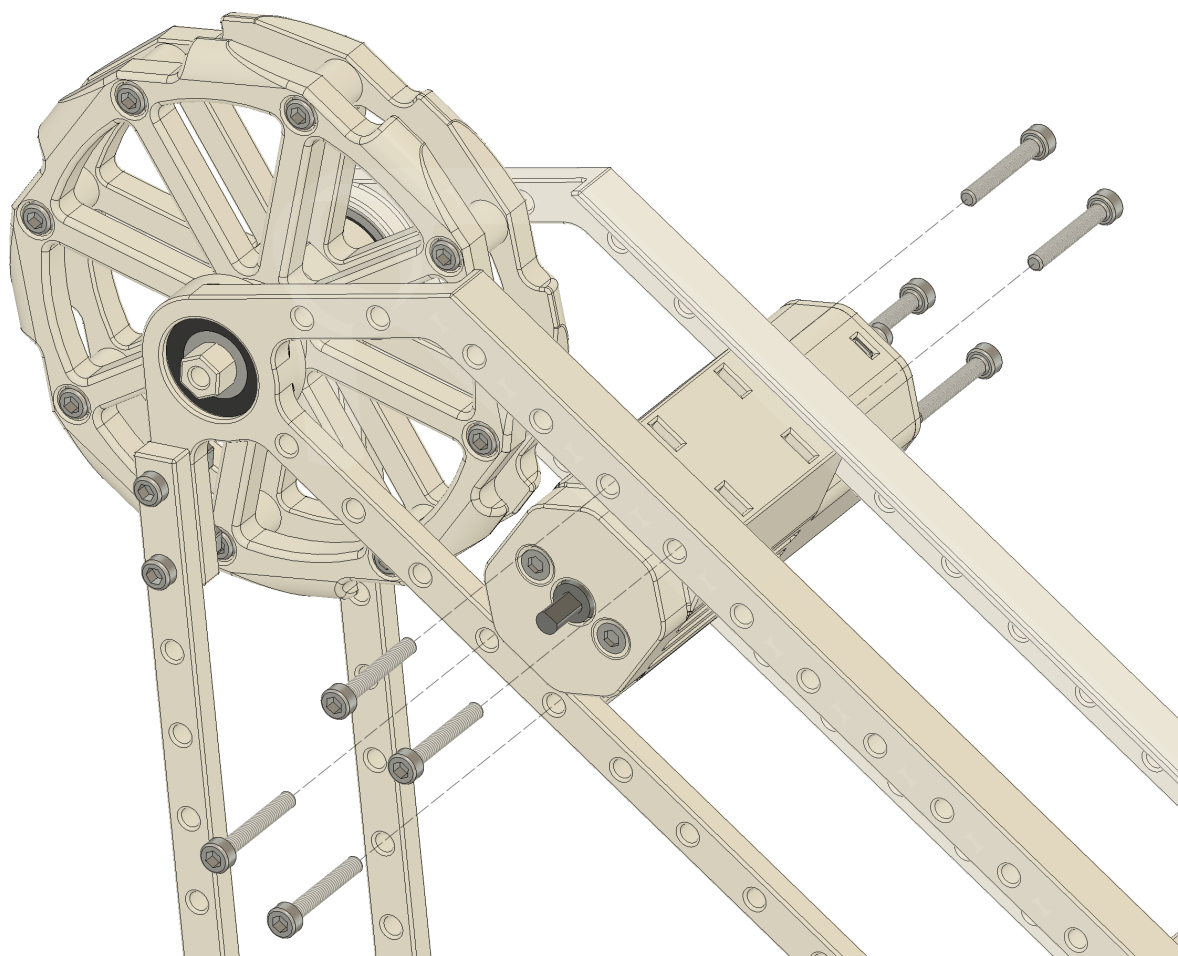
1x  
**Spur gear (45 teeth)**

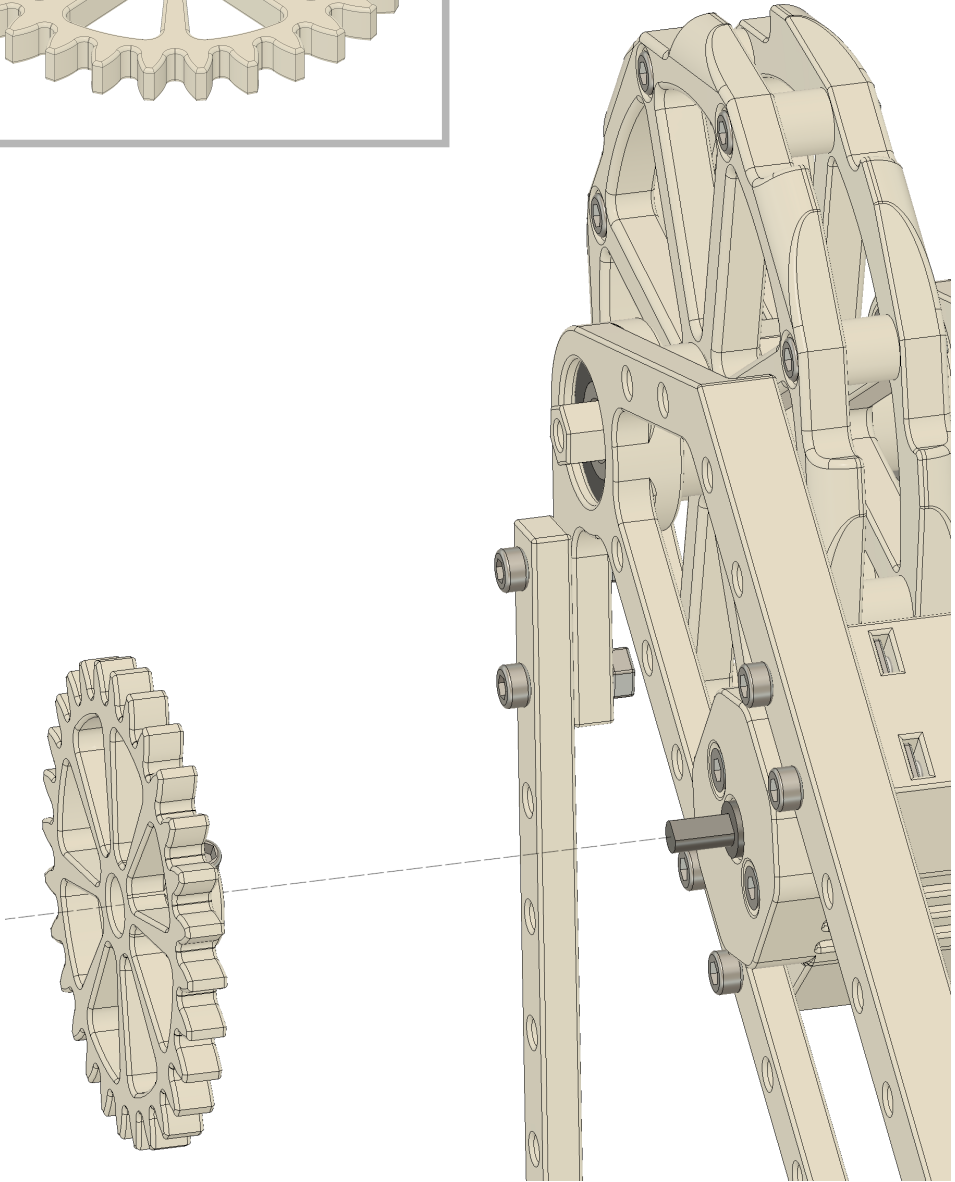
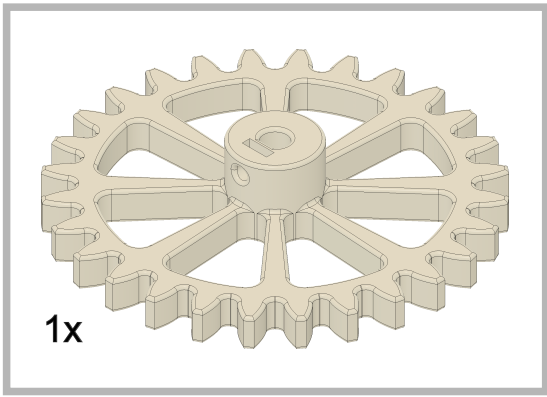


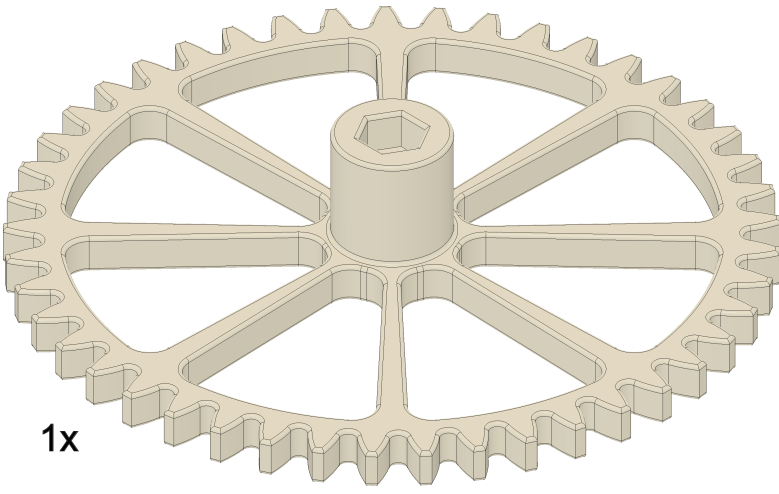
1x



8x



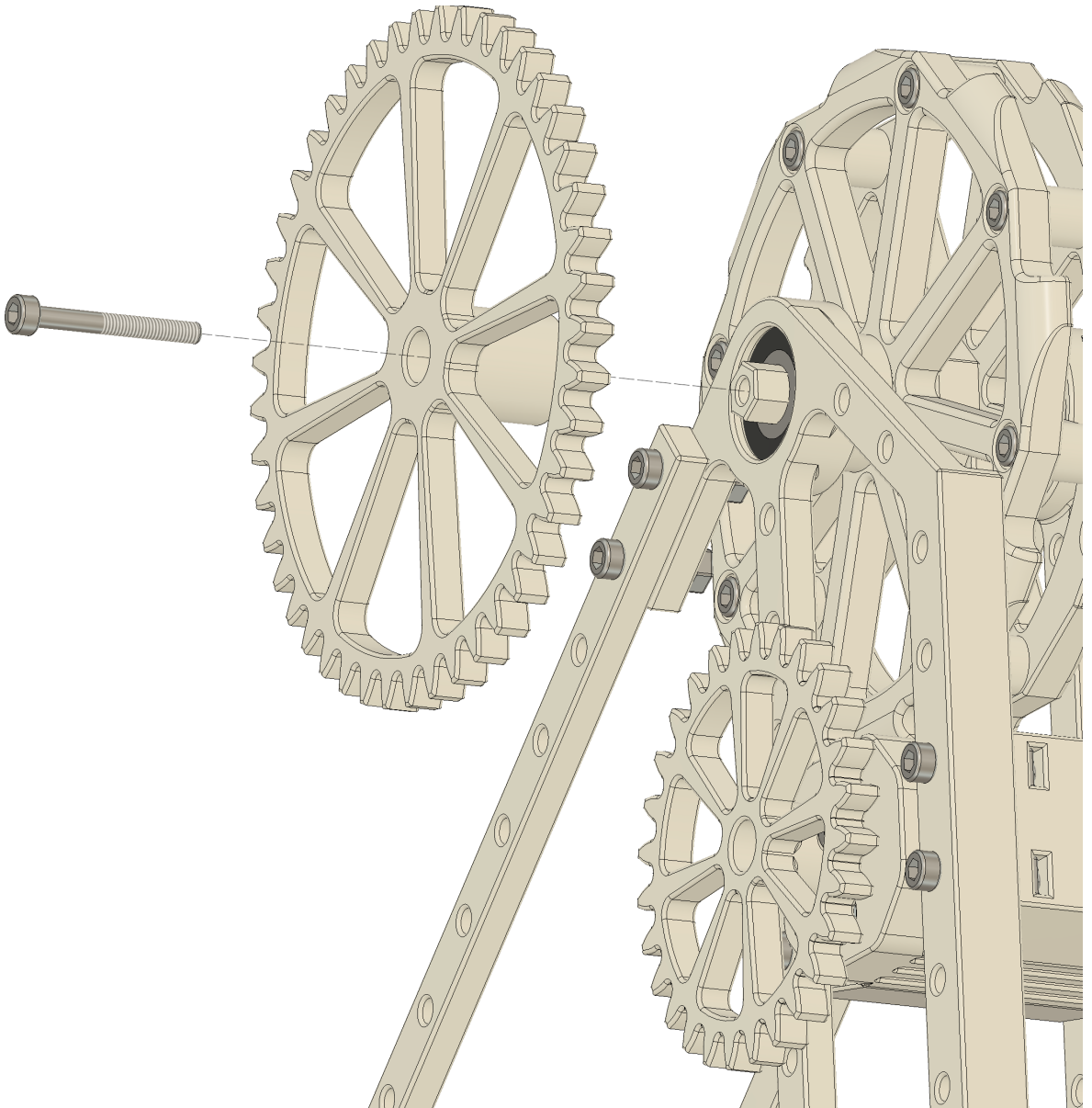




1x

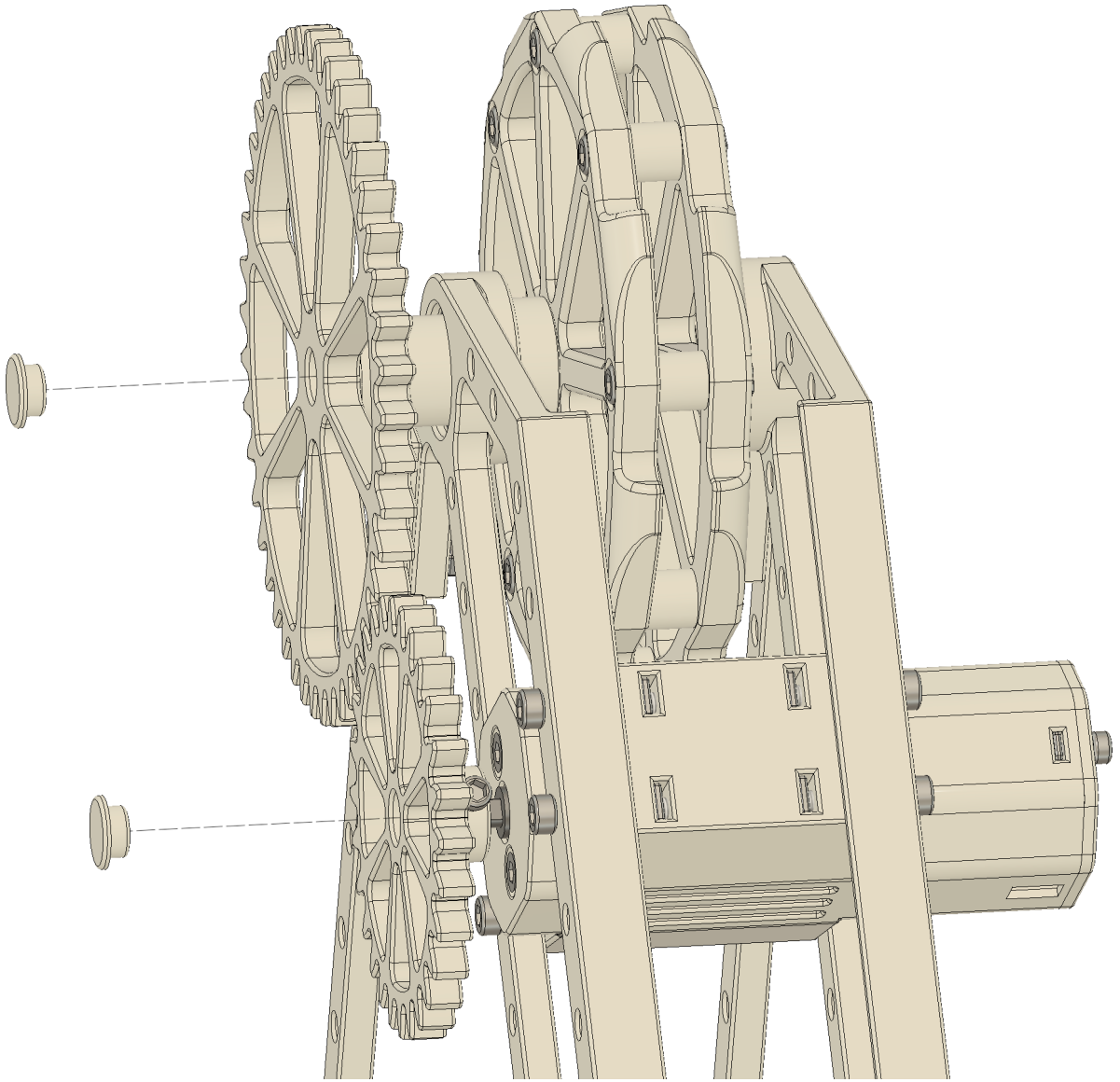


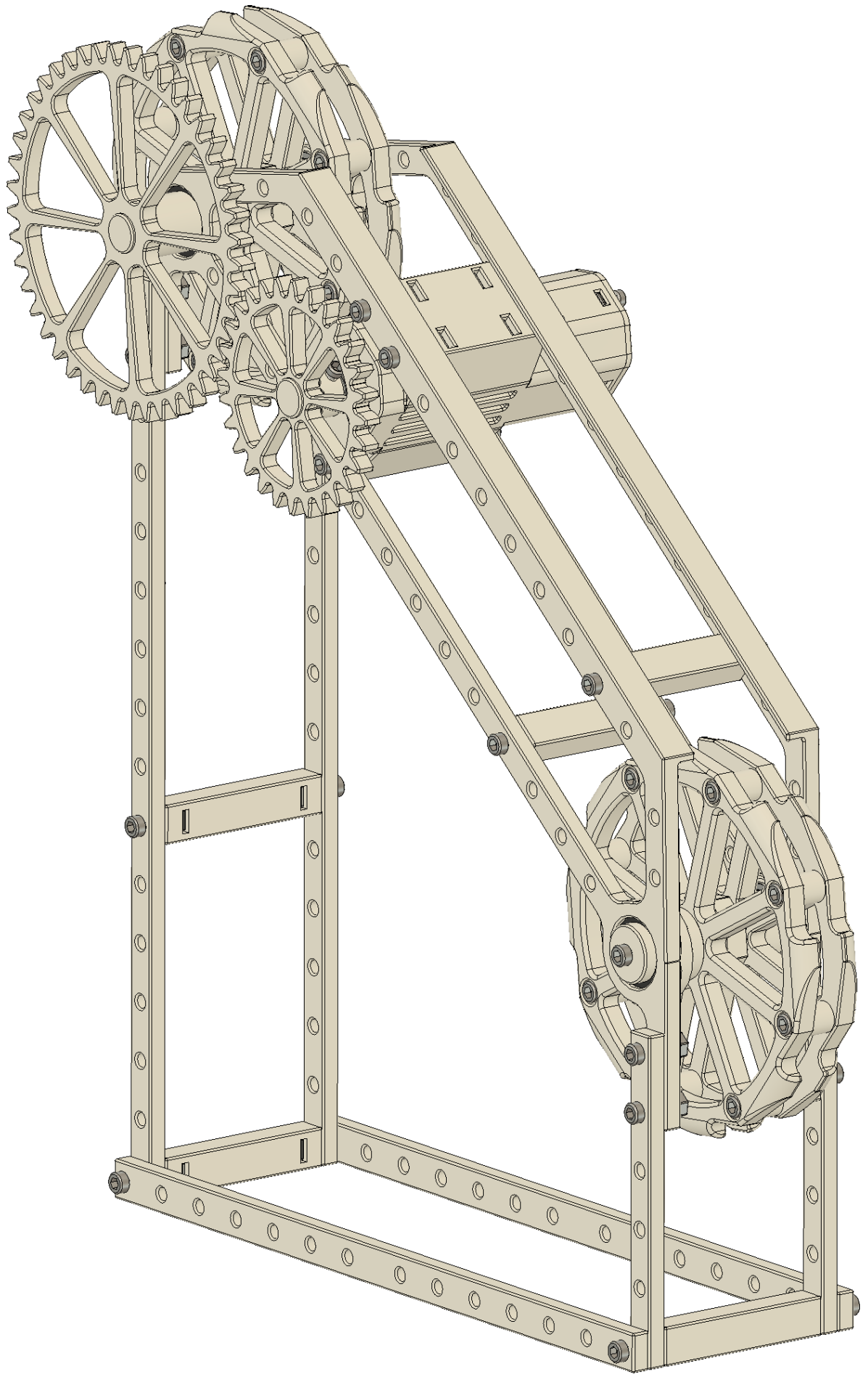
1x

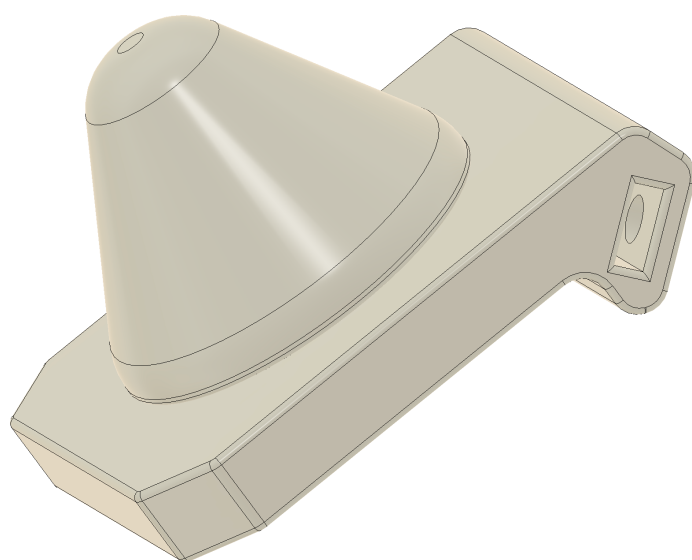




2x







6

Steps & cones

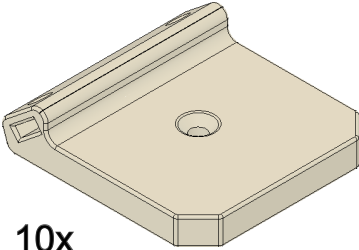
# Parts list



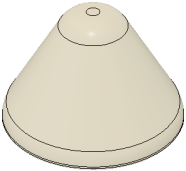
10x  
**M3x16 CS**



10x  
**Square nut**



10x  
**Stair step**



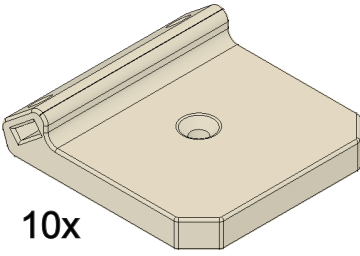
10x  
**Stair center**



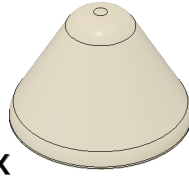
10x



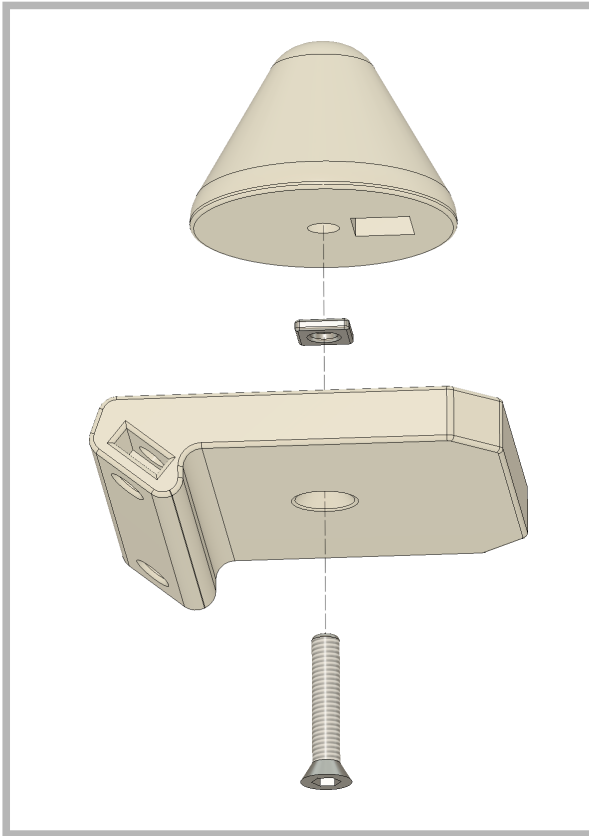
10x



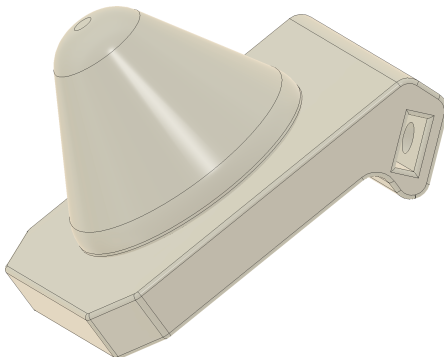
10x

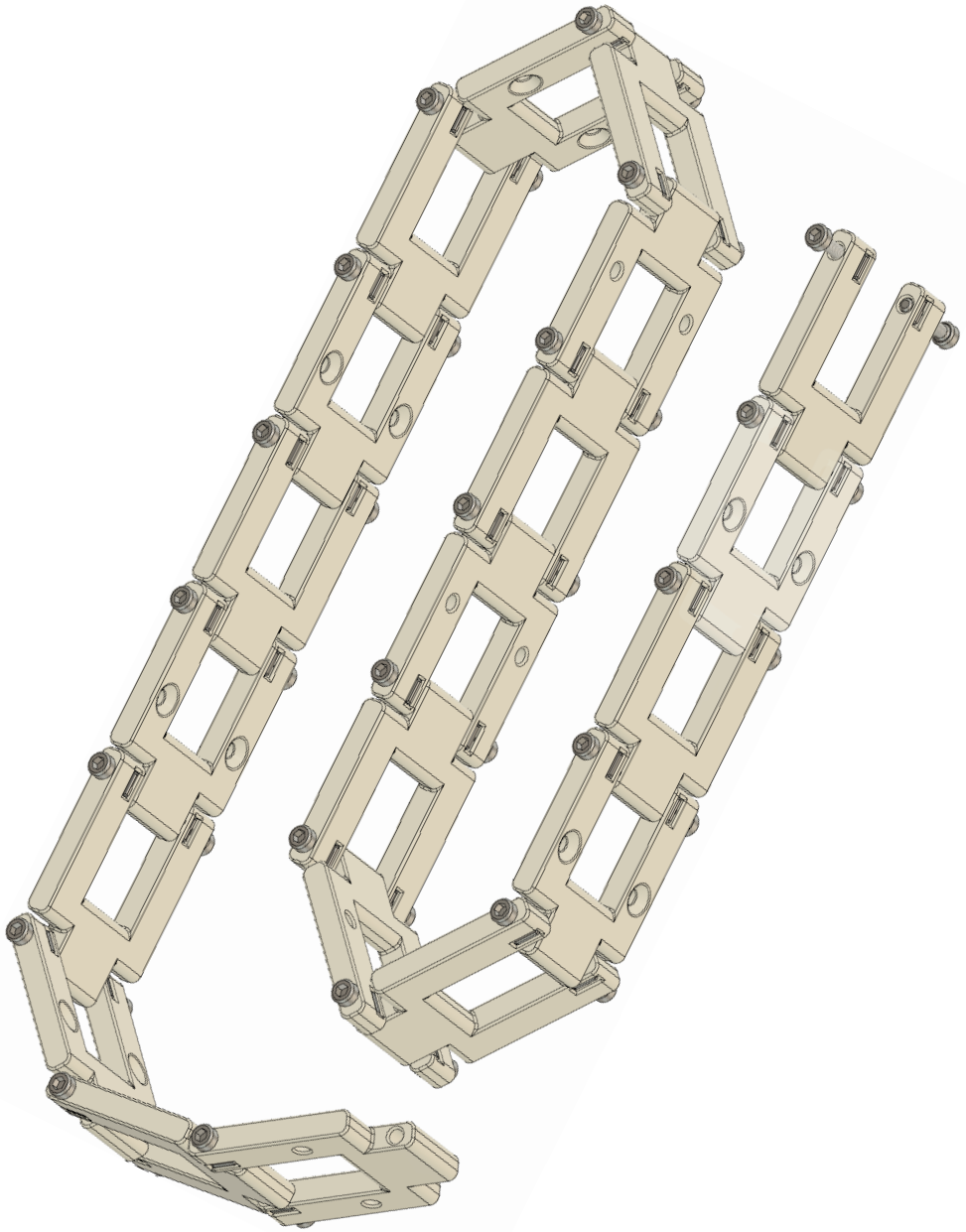


10x



10x





7

Track assembly

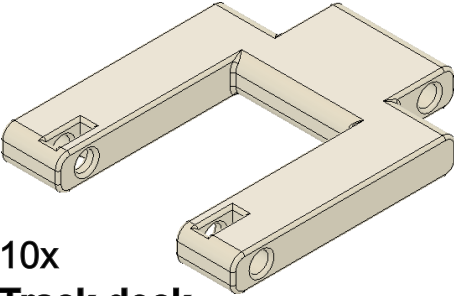
# Parts list



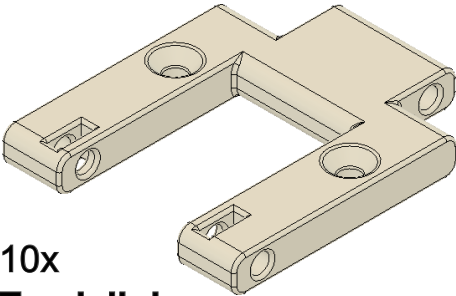
40x  
**M3x16**



40x  
**Square nut**



10x  
**Track deck**



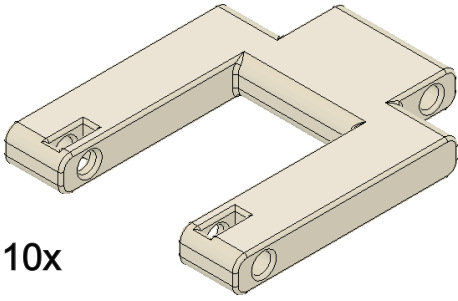
10x  
**Track link**



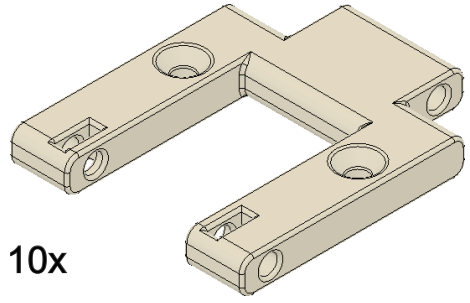
40x



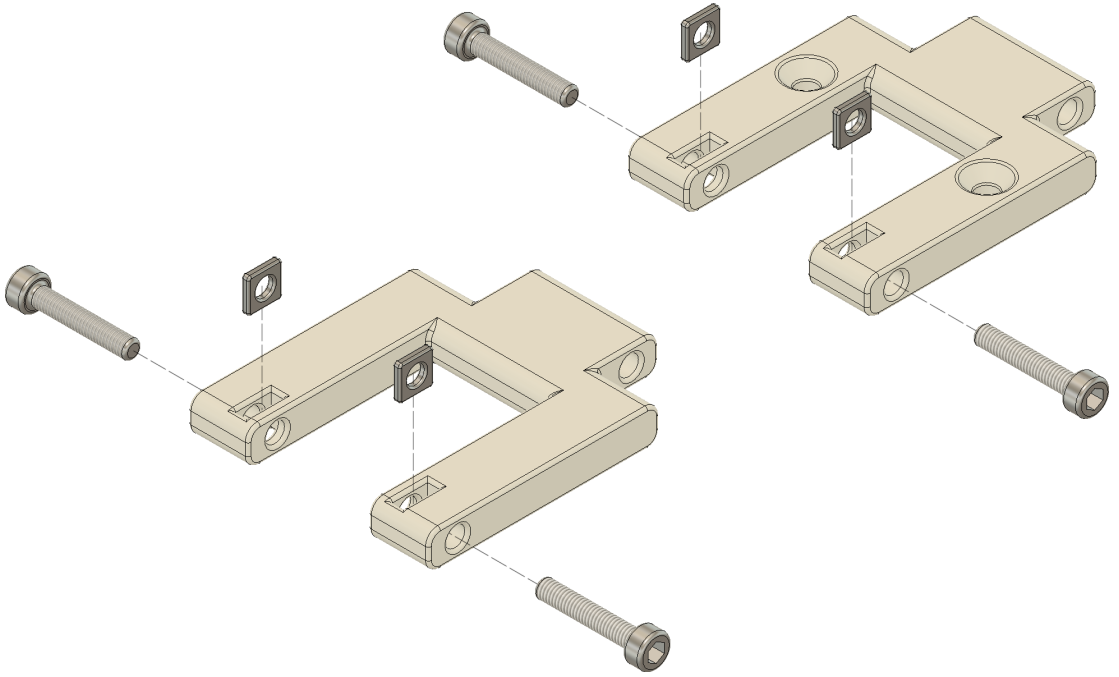
40x



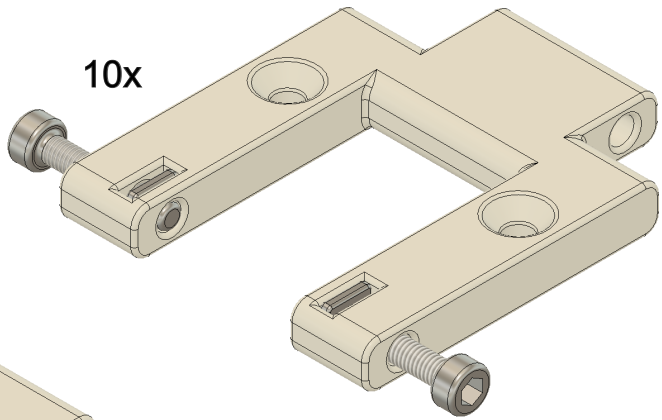
10x



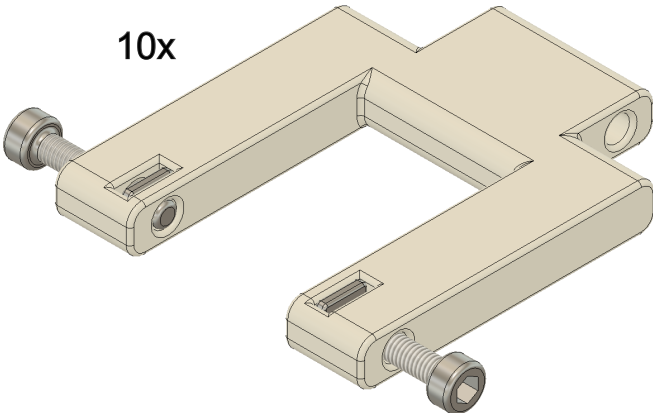
10x

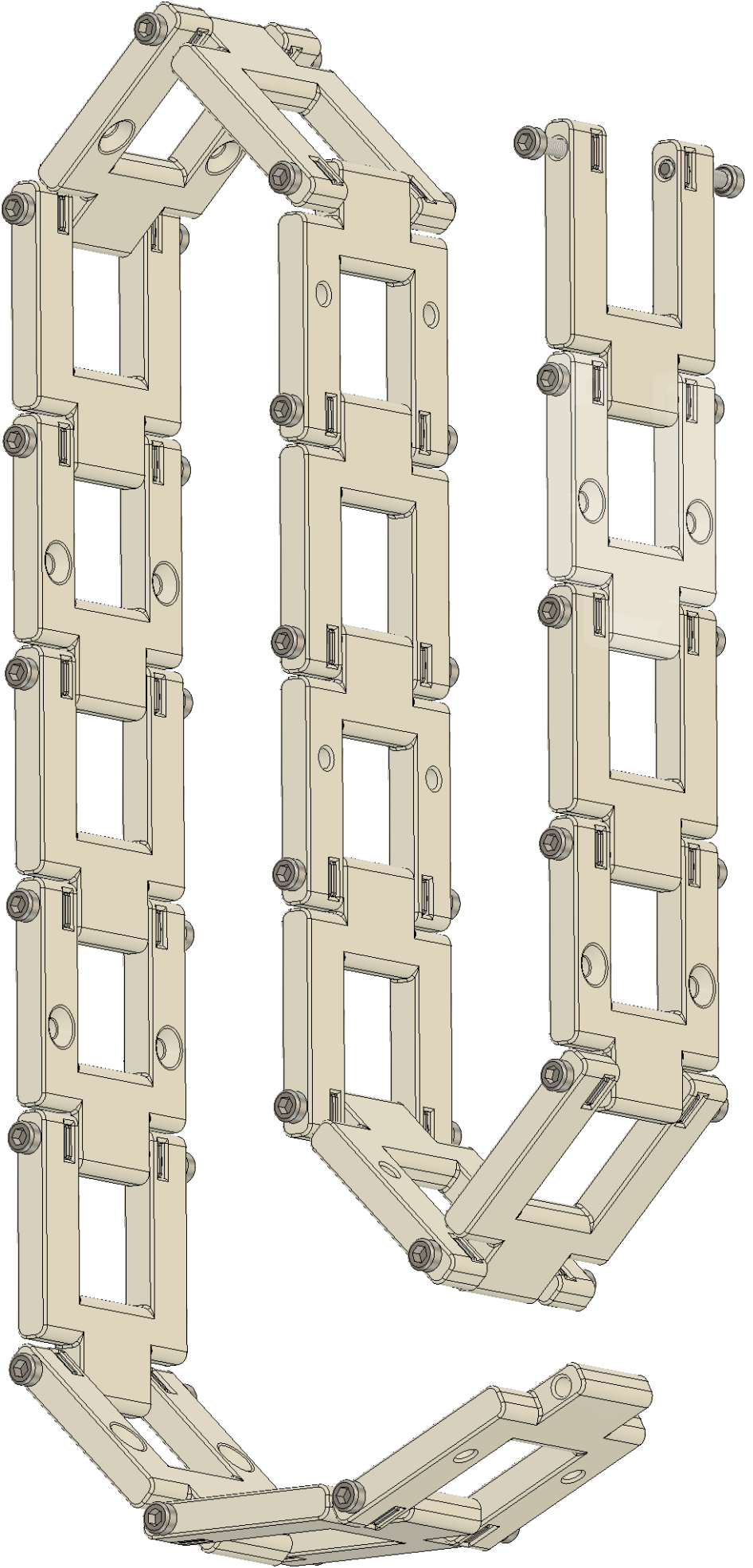


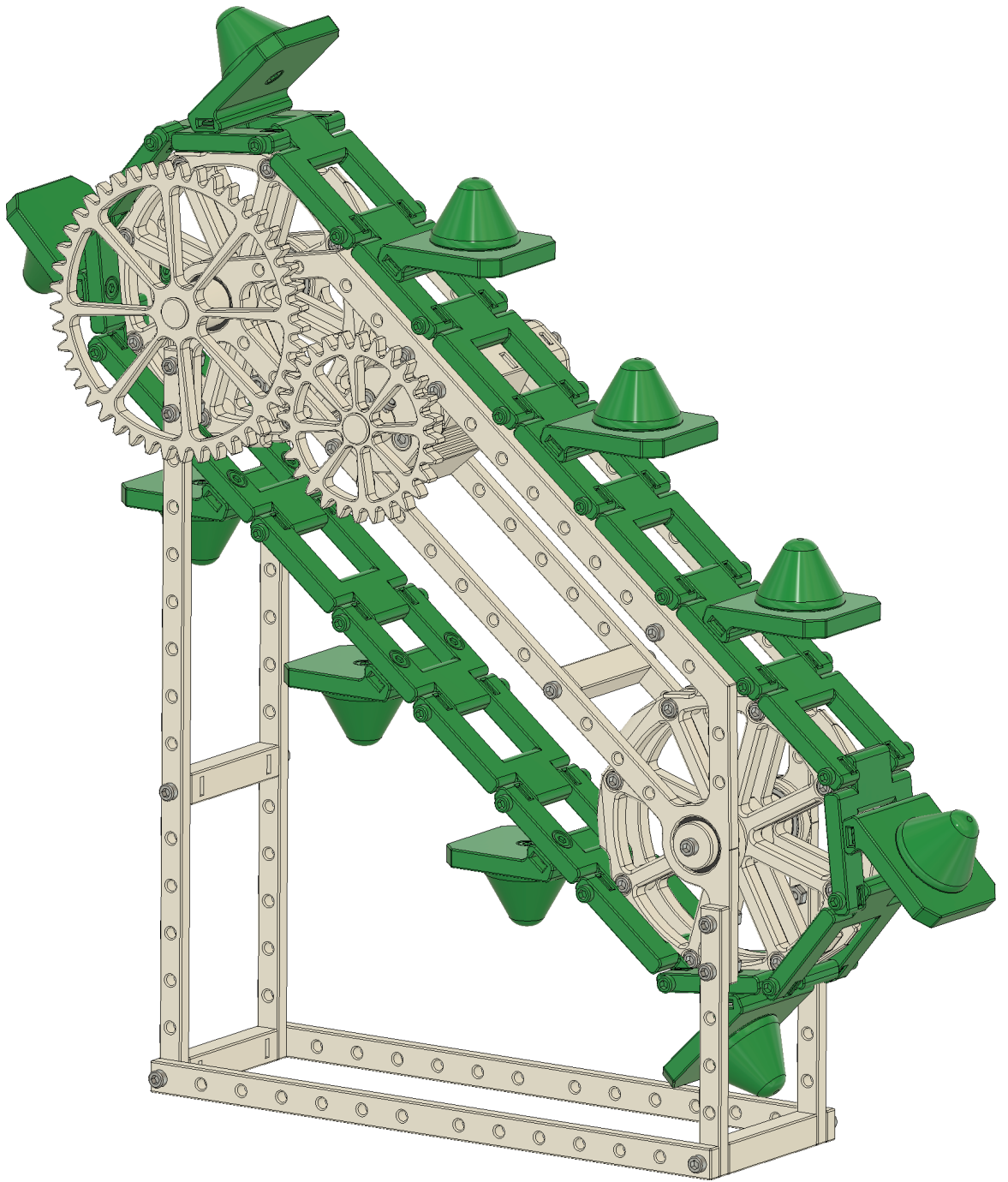
10x



10x







8

Track & Steps

# Parts list



20x

**M3x12 CS**



20x

**Square nut**

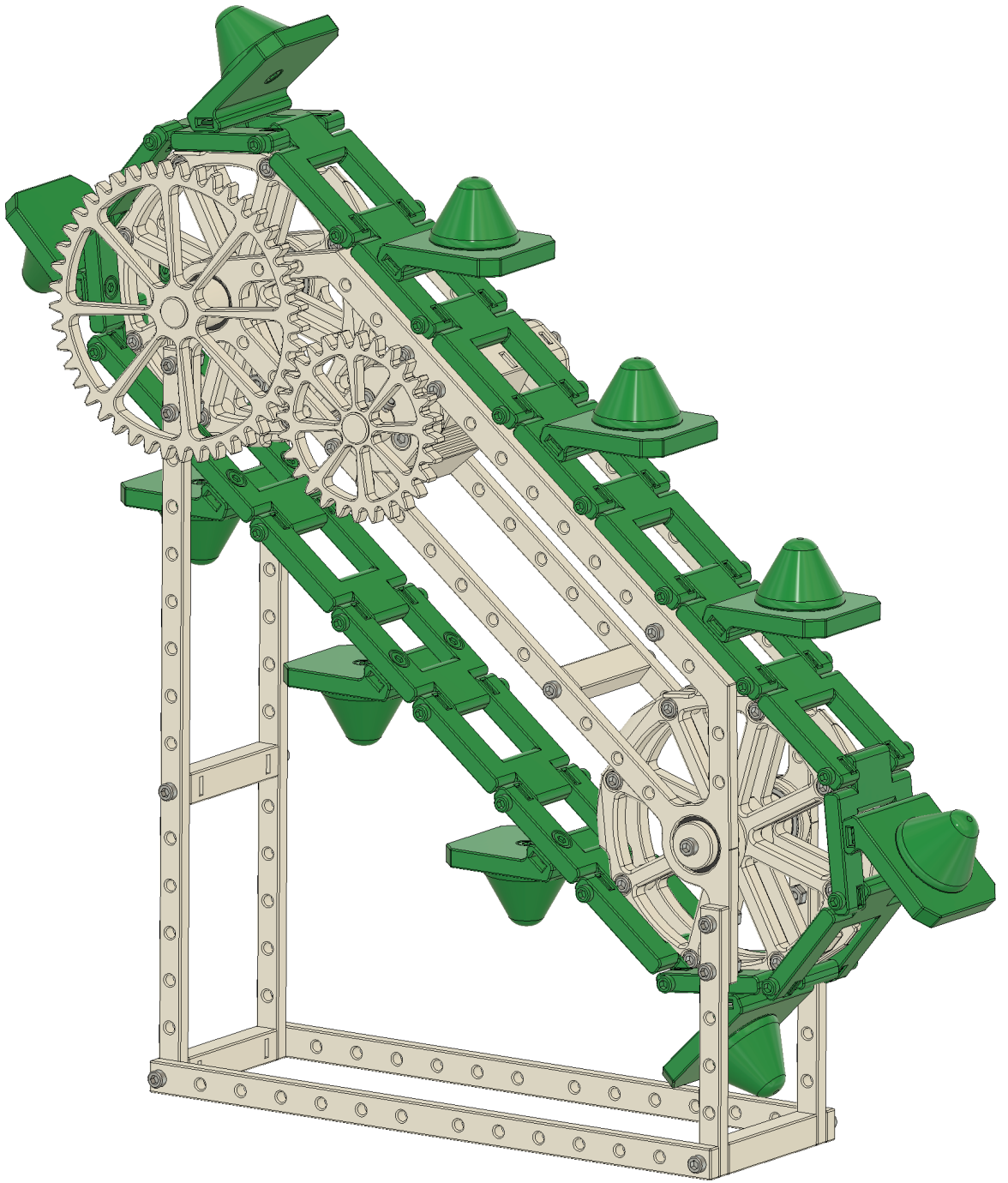


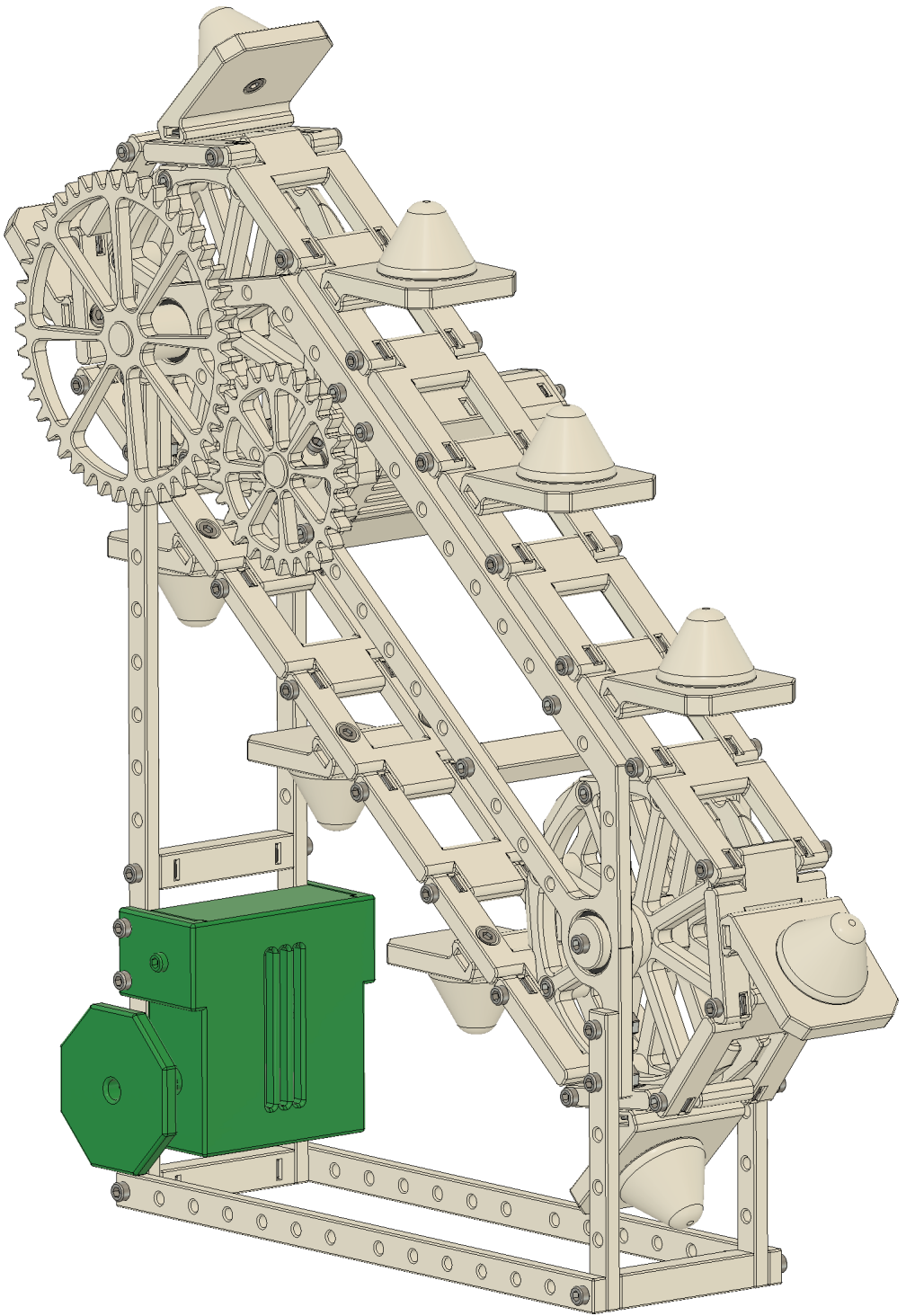
20x



20x







9

Control & power

# Parts list



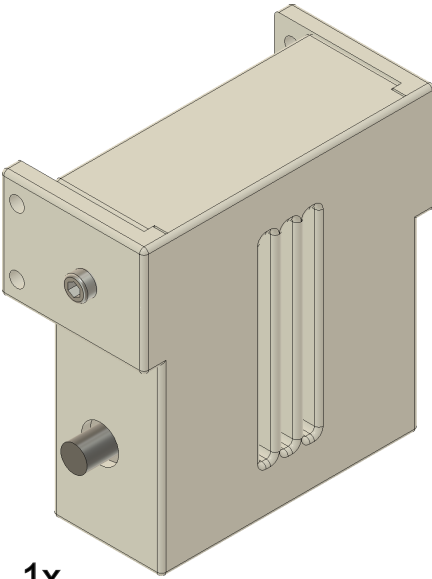
4x  
**M3x12**



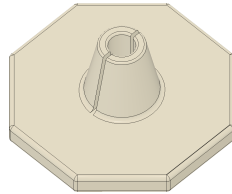
4x  
**Hex nut**



2x  
**Plastic tie**



1x  
**Power module**



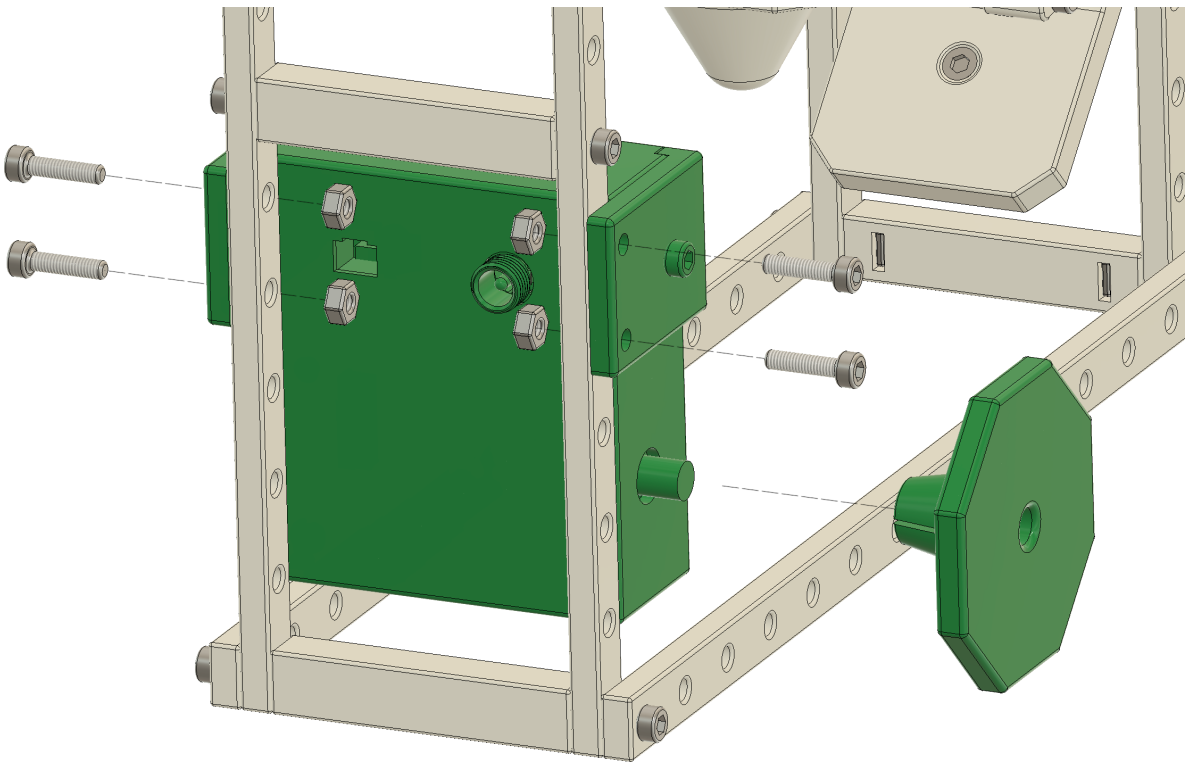
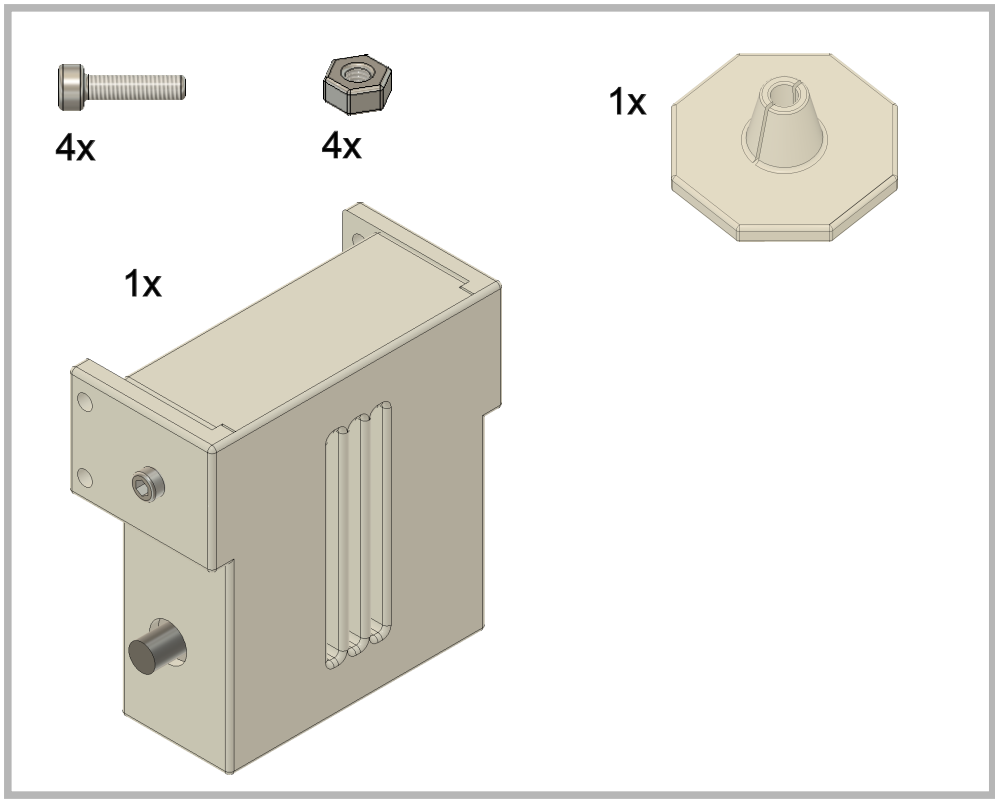
1x  
**Speed regulator knob**



1x  
**Motor cable**



1x  
**Power cable**



2x

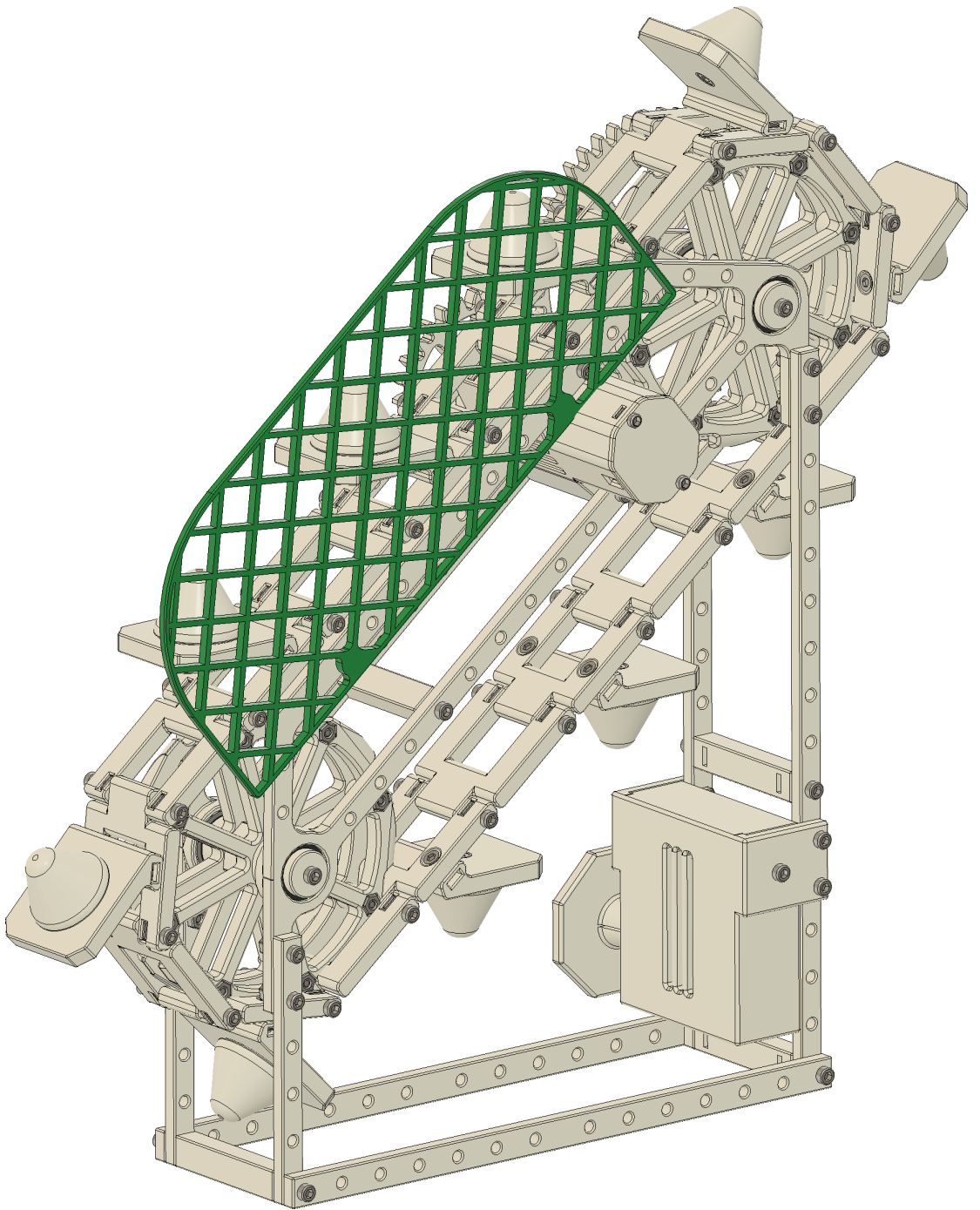


1x



1x

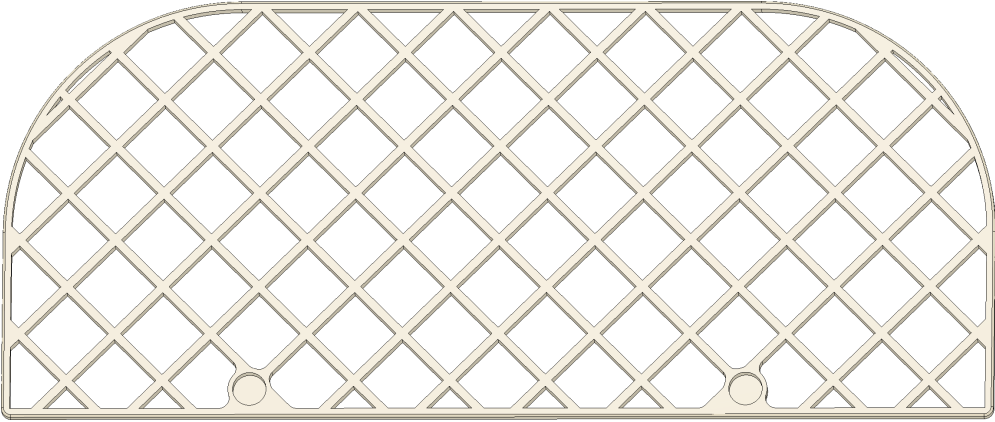




10

Side guide

# Parts list



1x

**Magnetic side guide**

